

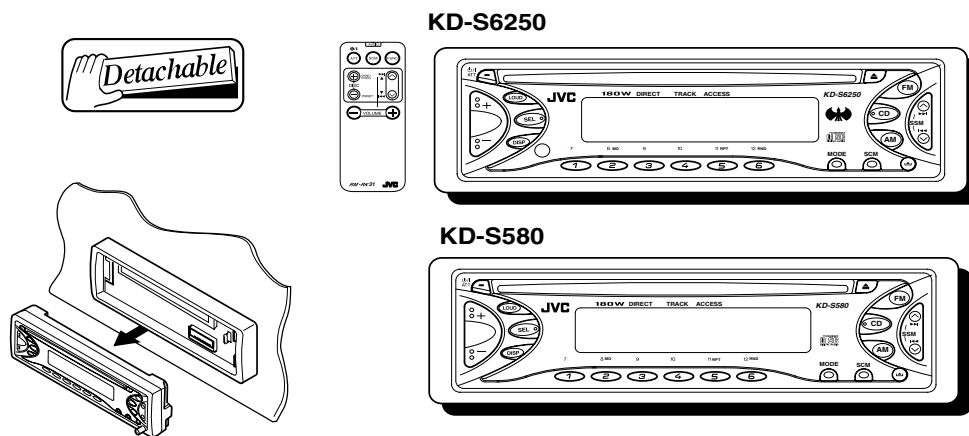


JVC

SERVICE MANUAL

CD RECEIVER

KD-S6250 / KD-S580



**COMPACT
disc
DIGITAL AUDIO**

Area Suffix
J ----- Northern America

Difference point	Color	Remocon
KD-S6250	Silver	○
KD-S580	Metallic gray	×

Contents

Safety precaution	1-2	Flow of functional	
Preventing static electricity	1-3	operation unit TOC read	1-12
Disassembly method	1-4	Maintenance of laser pickup	1-14
Adjustment method	1-11	Replacement of laser pickup	1-14
		Description of major ICs	1-15

Disassembly method

<Main body>

■ Removing the front panel assembly (See Fig.1)

1. Press the eject button in the lower right part of the front panel. Remove the front panel assembly from the body.

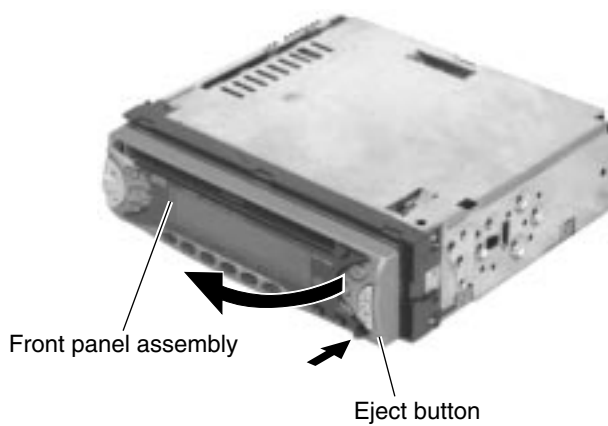


Fig.1

■ Removing the front chassis assembly (See Fig.2 and 3)

- Prior to performing the following procedure, remove the front panel assembly.
1. Release the four joint tabs **a** on both sides of the front chassis assembly and remove the front chassis assembly toward the front.

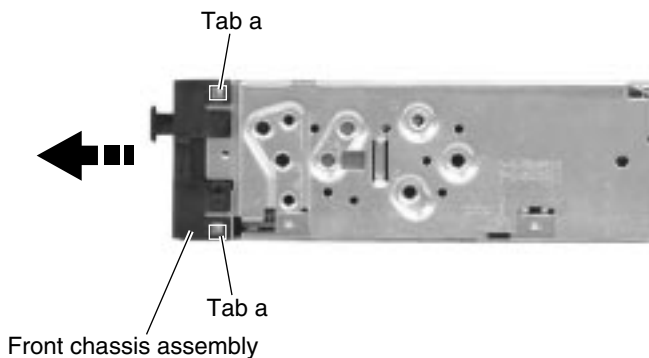


Fig.2

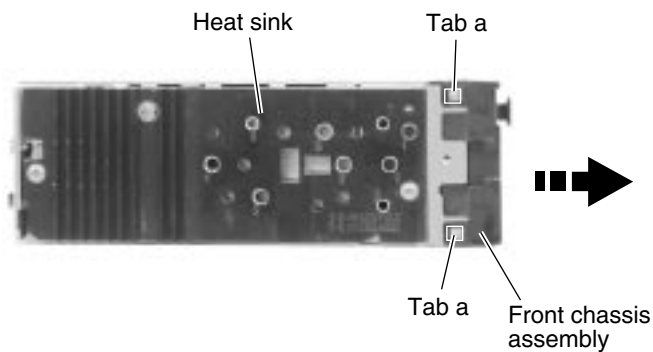


Fig.3

■ **Removing the heat sink (See Fig.4)**

1. Remove the three screws **A** on the left side of the body.

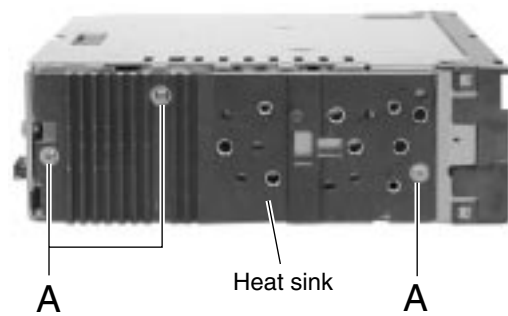


Fig.4

■ **Removing the bottom cover (See Fig.5 and 6)**

- Prior to performing the following procedure, remove the front panel assembly, the front chassis assembly and the heat sink.

1. Turn over the body and unjoint the five joints **b** with the bottom cover and the body using a screwdriver.

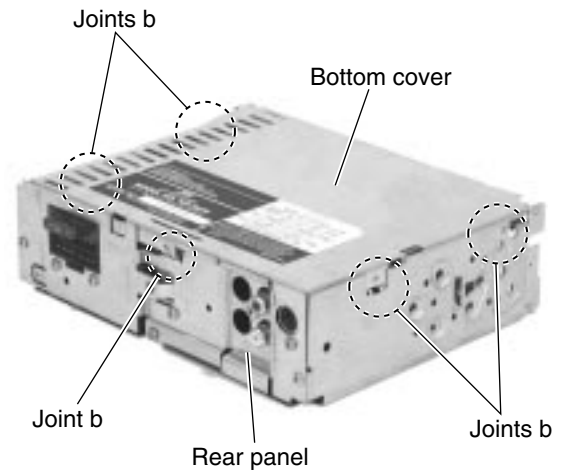


Fig.5

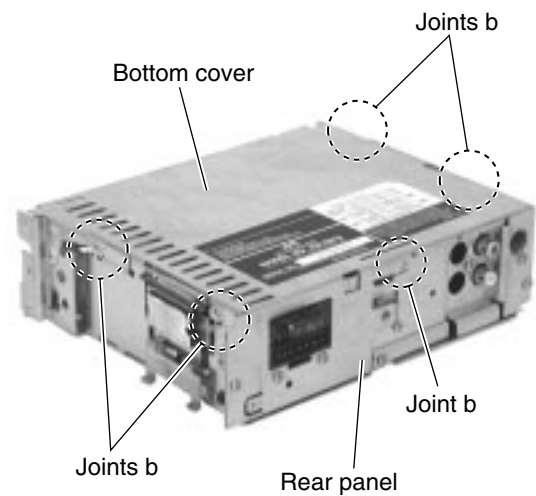


Fig.6

■ Removing the main board
(See Fig.7 and 8)

• Prior to performing the following procedure, remove the front panel assembly, the front chassis assembly, the heat sink and the bottom cover.

1. Remove the screw **B**, the four screws **C** and the three screws **D** attaching the rear panel on the back of the body. Remove the rear panel.
2. Remove the two screws **E** attaching the main board on the bottom of the body. Disconnect connector CN501 on the main board in the direction of the arrow.

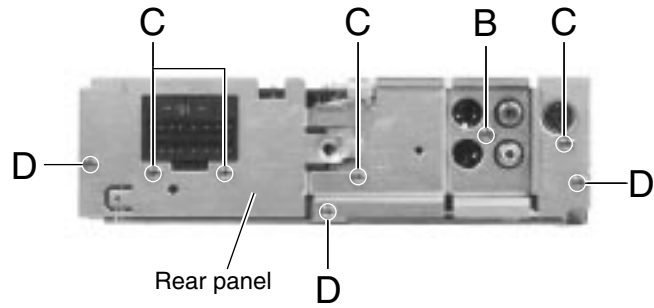


Fig.7

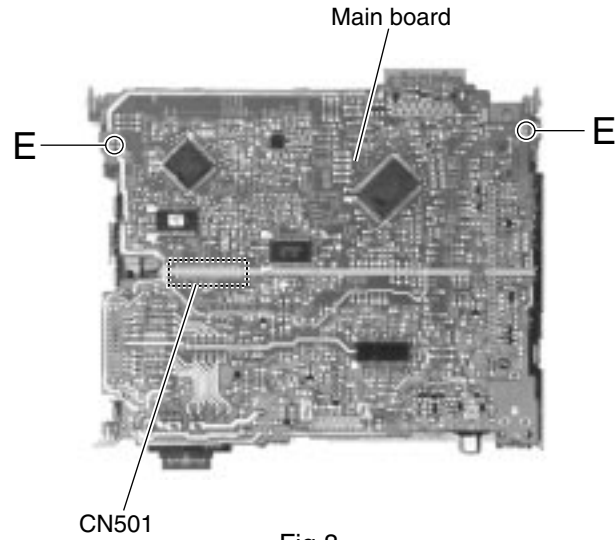


Fig.8

■ Removing the CD mechanism section
(See Fig.9)

• Prior to performing the following procedure, remove the front panel assembly, the front chassis assembly, the heat sink, the bottom cover and the main board.

1. Remove the three screws **F** attaching the cassette mechanism section on the back of the top chassis.

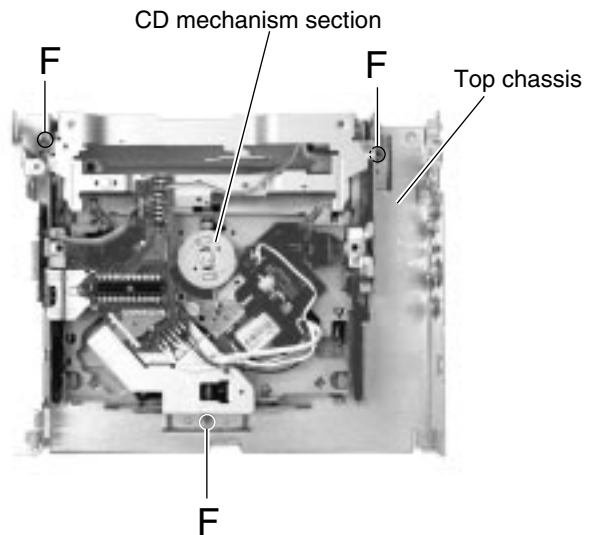


Fig.9

**■ Removing the control switch board
(See Fig.10 to 12)**

· Prior to performing the following procedure, remove the front panel assembly.

1. Remove the four screws **G** attaching the rear cover on the back of the front panel assembly.
2. Unjoint the eleven(KD-S625)or nine(KD-S580) joints **c** with the front panel and the rear cover.
3. Remove the control switch board on the back of the front panel.

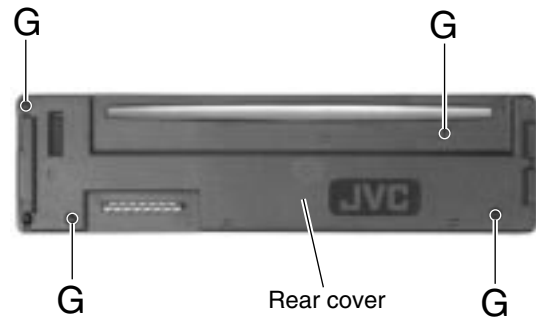


Fig.10

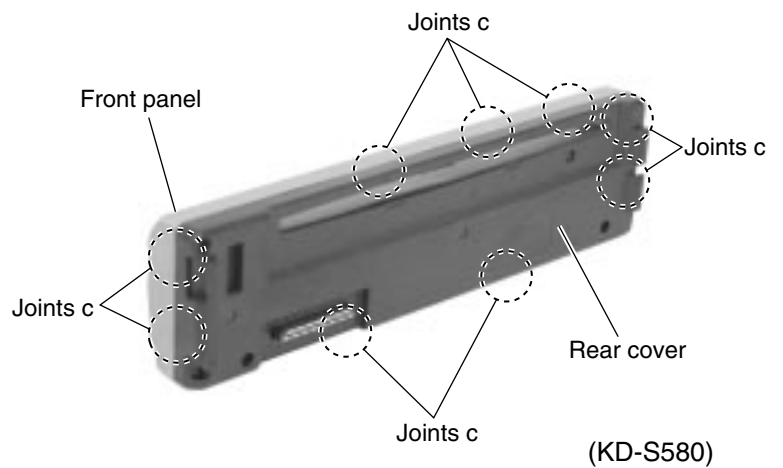
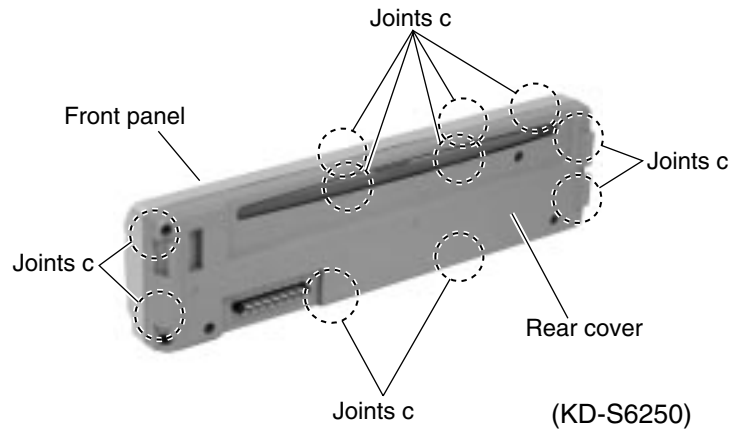


Fig.11

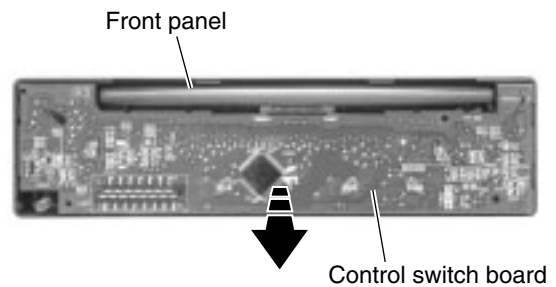


Fig.12

■ **Removing the CD mechanism control board(See Fig.1 and 2)**

Unsolder the part f and g on the CD mechanism control board.

Remove the stator fixing the CD mechanism control board and the damper bracket (To remove the stator smoothly, pick up the center part).

Remove the screw F attaching the CD mechanism control board.

Remove the CD mechanism control board in the direction of the arrow while releasing it from the two damper bracket slots i and the front bracket slot j.

Disconnect the flexible wire from connector on the pickup unit.

ATTENTION: Turn the FD gear in the direction of the arrow to move the entire pickup unit to the appropriate position where the flexible wire of the CD mechanism unit can be disconnected easily (Refer to Fig.2).

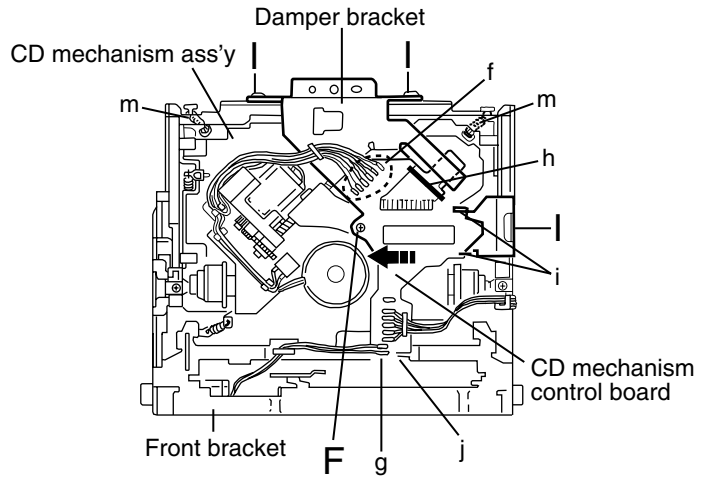


Fig.1

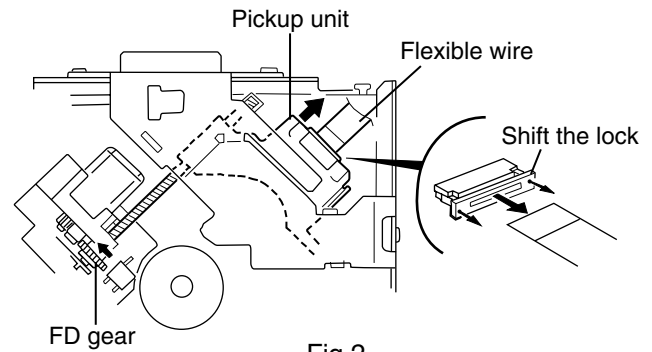


Fig.2

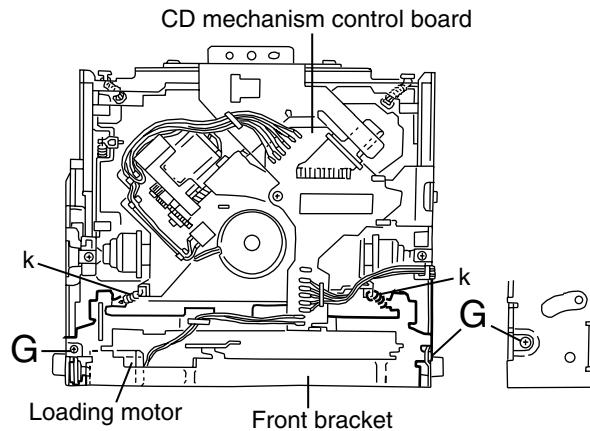


Fig.3

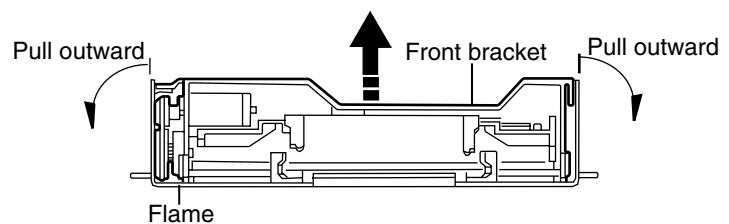


Fig.4

**■ Removing the loading motor
(See Fig.3 to 5)**

• Prior to performing the following procedure, remove the CD mechanism control board.

1. Remove the two springs k attaching the CD mechanism ass'y and the front bracket.
2. Remove the two screws G and the front bracket while pulling the flame outward.
3. Remove the belt and the screw H from the loading motor.

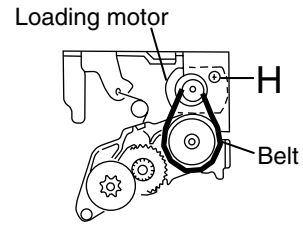


Fig.5

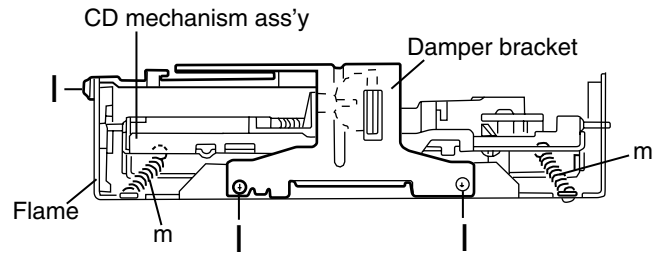


Fig.6

**■ Removing the CD mechanism ass'y
(See Fig.1, 6 to 9)**

• Prior to performing the following procedure, remove the CD mechanism control PWB and the front bracket (loading motor).

1. Remove the three screws I and the damper bracket.
2. Raise the both sides fix arms and move the fix plates in the direction of the arrow to place the four shafts I as shown in Fig.8 and 9.
3. Remove the CD mechanism ass'y and the two springs m attaching the flame.
4. Remove the two screws J and both sides rear damper brackets from the dampers. Detach the CD mechanism ass'y from the left side to the right side.

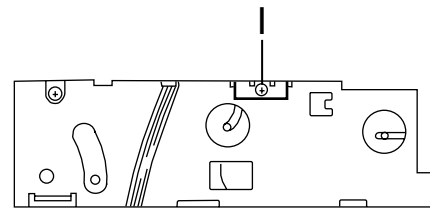


Fig.7

ATTENTION: The CD mechanism ass'y can be removed if only the rear damper bracket on the left side is removed.

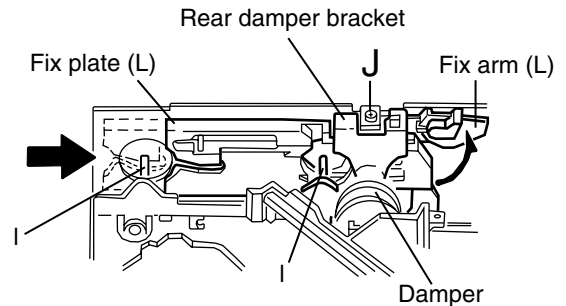


Fig.8

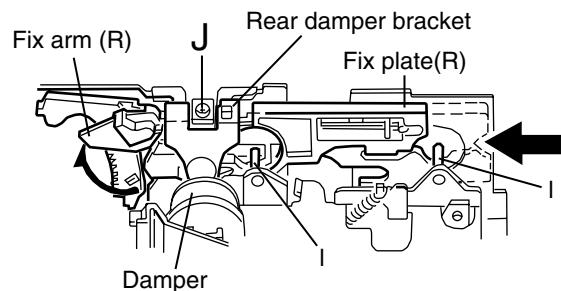


Fig.9

■ Removing the feed motor ass'y
(See Fig.10)

- Prior to performing the following procedure, remove the CD mechanism control board, the front bracket (loading motor) and the CD mechanism ass'y.

1. Remove the two screws K and the feed motor ass'y.

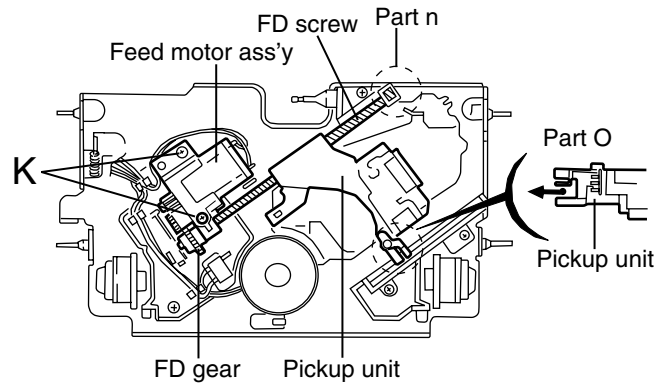


Fig.10

■ Removing the pickup unit
(See Fig.10 and 11)

- *Prior to performing the following procedure, remove the CD mechanism control board, the front bracket (loading motor), the CD mechanism ass'y and the feed motor ass'y.

1. Detach the FD gear part of the pickup unit upward. Then remove the pickup unit while pulling out the part n of the FD screw.

ATTENTION: When reattaching the pickup unit, reattach the part o of the pickup unit, then the part n of the FD screw.

2. Remove the screw L attaching the nut push spring plate and the pickup mount nut from the pickup unit. Pull out the FD screw.

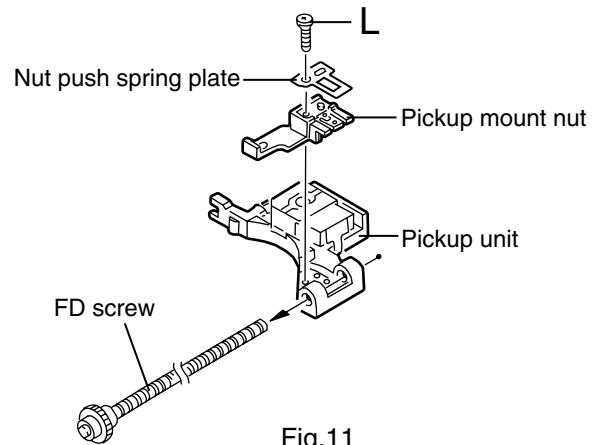


Fig.11

■ Removing the spindle motor
(See Fig.12 and 13)

- Prior to performing the following procedure, remove the CD mechanism control board, the front bracket (loading motor), the CD mechanism ass'y and the feed motor ass'y.

1. Turn up the CD mechanism ass'y and remove the two springs p on both sides of the clamber arms. Open the clamber arm upward.

2. Turn the turn table, and remove the two screws M and the spindle motor.

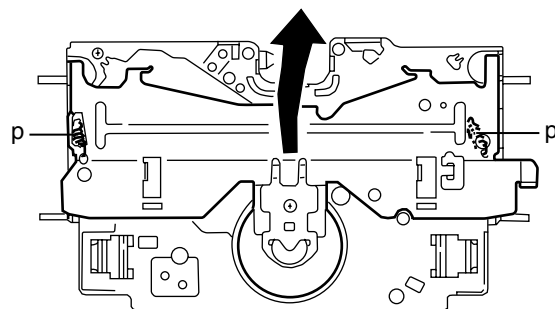


Fig.12

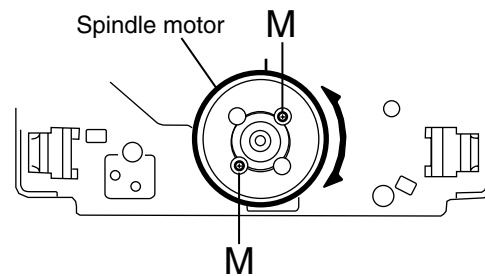


Fig.13

Adjustment method

■ Test instruments required for adjustment

1. Digital oscilloscope (100MHz)
2. AM Standard signal generator
3. FM Standard signal generator
4. Stereo modulator
5. Electric voltmeter
6. Digital tester
7. Tracking offset meter
8. Test Disc JVC :CTS-1000
9. Extension cable for check
EXTGS004-26P × 1

■ Standard volume position

Balance and Bass & Treble volume : Indication "0"
Loudness : OFF
BBE : OFF
Frequency Band

- FM 87.5MHz ~ 107.9MHz
- AM 530kHz ~ 1710 kHz

■ Dummy load

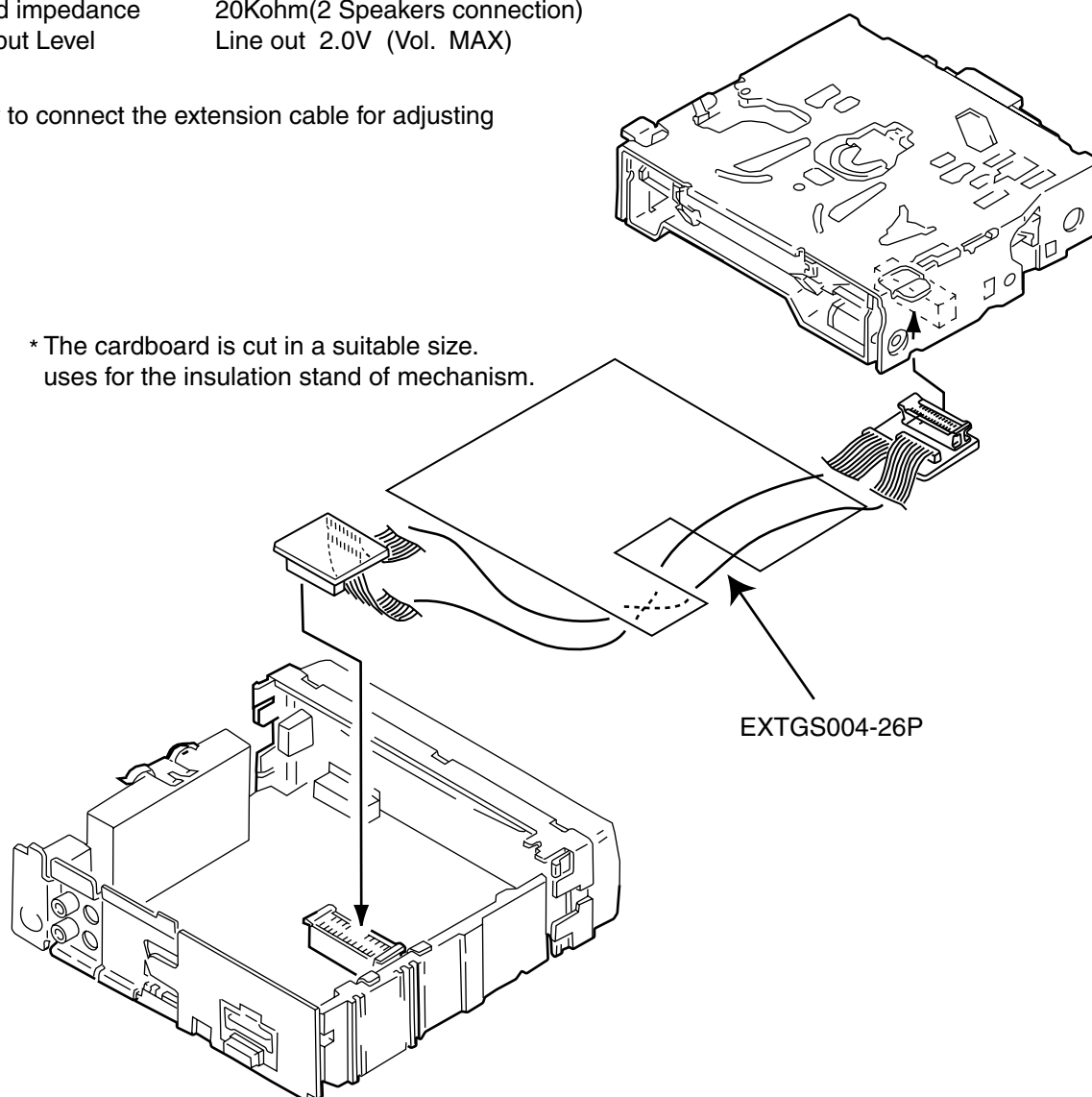
Exclusive dummy load should be used for AM, and FM. For FM dummy load, there is a loss of 6dB between SSG output and antenna input. The loss of 6dB need not be considered since direct reading of figures are applied in this working standard.

■ Standard measuring conditions

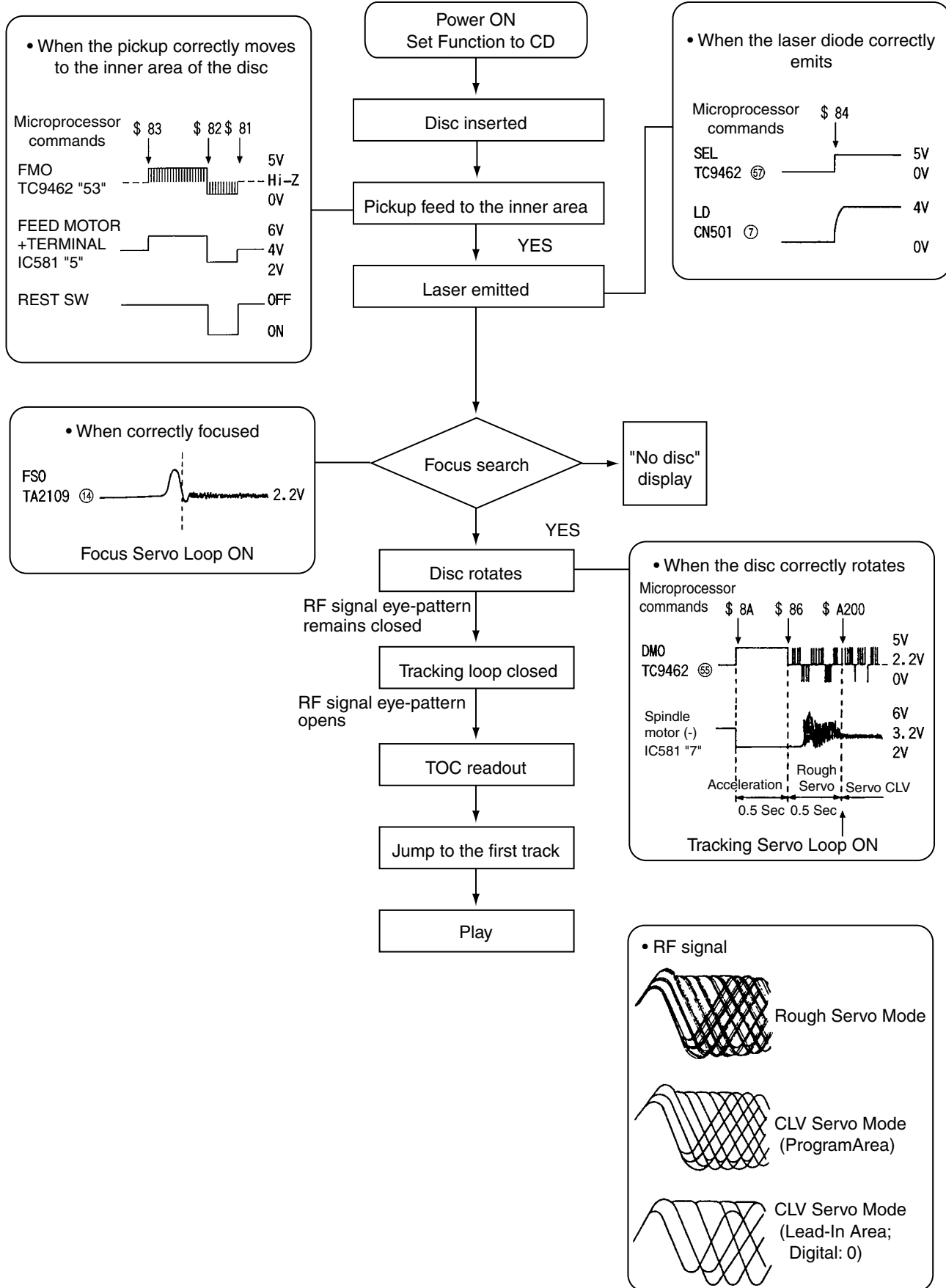
Power supply voltage DC14.4V(10.5~16V)
Load impedance 20Kohm(2 Speakers connection)
Output Level Line out 2.0V (Vol. MAX)

■ How to connect the extension cable for adjusting

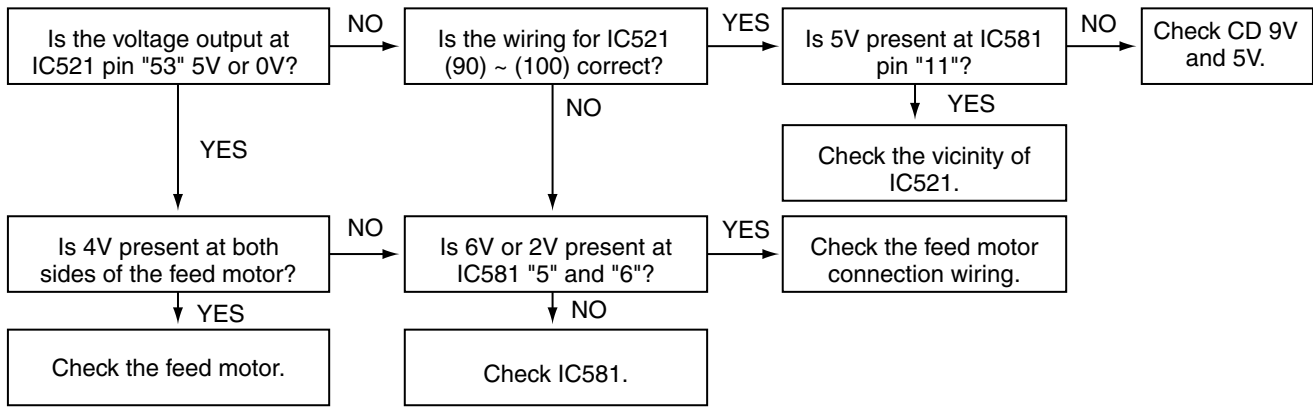
* The cardboard is cut in a suitable size.
uses for the insulation stand of mechanism.



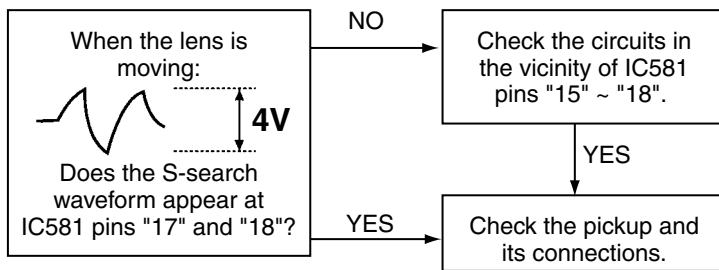
Flow of functional operation until TOC read



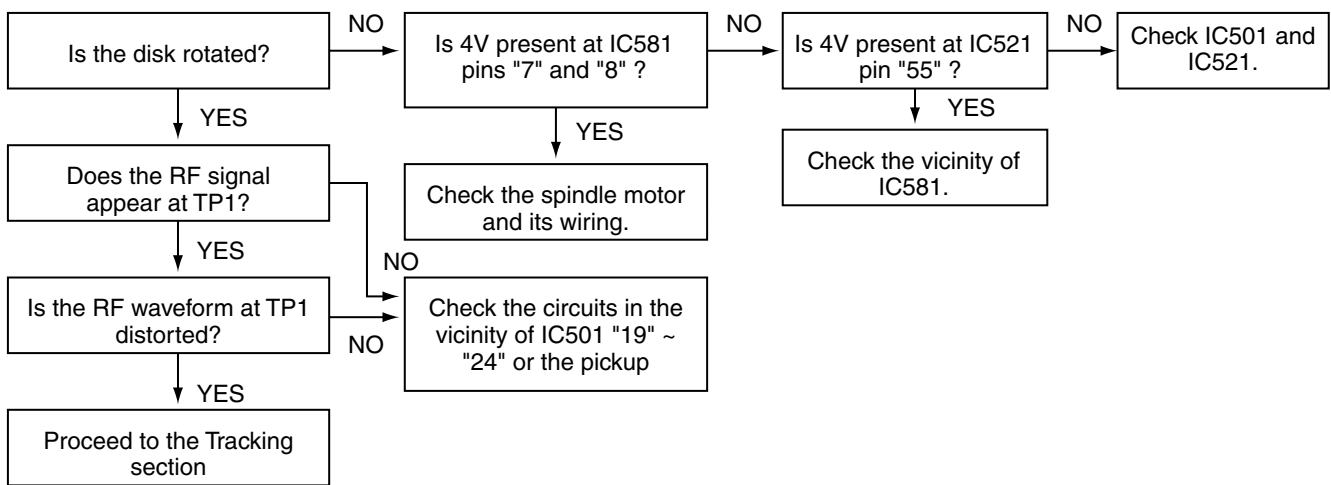
■ Feed Section



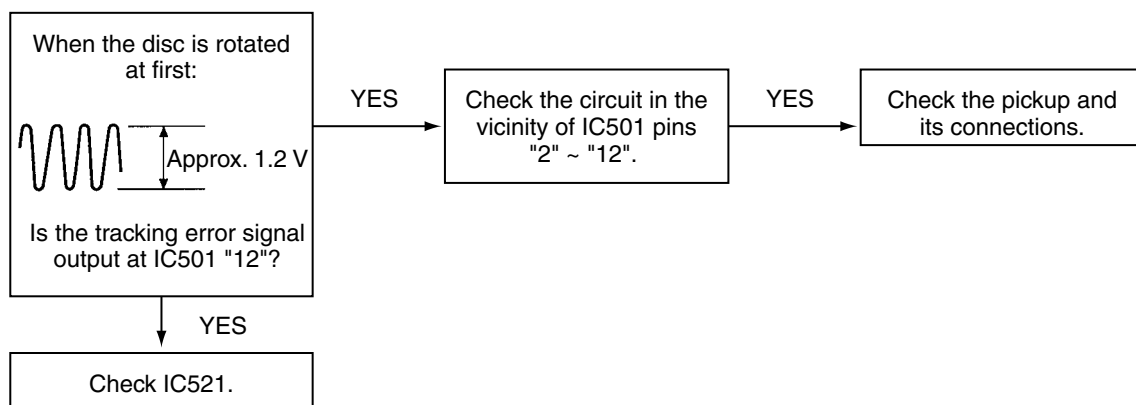
■ Focus Section



■ Spindle Section



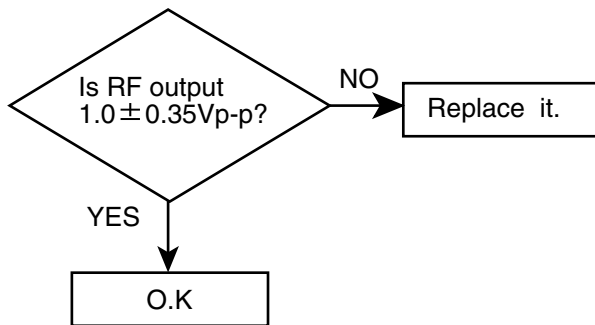
■ Tracking Section



Maintenance of laser pickup

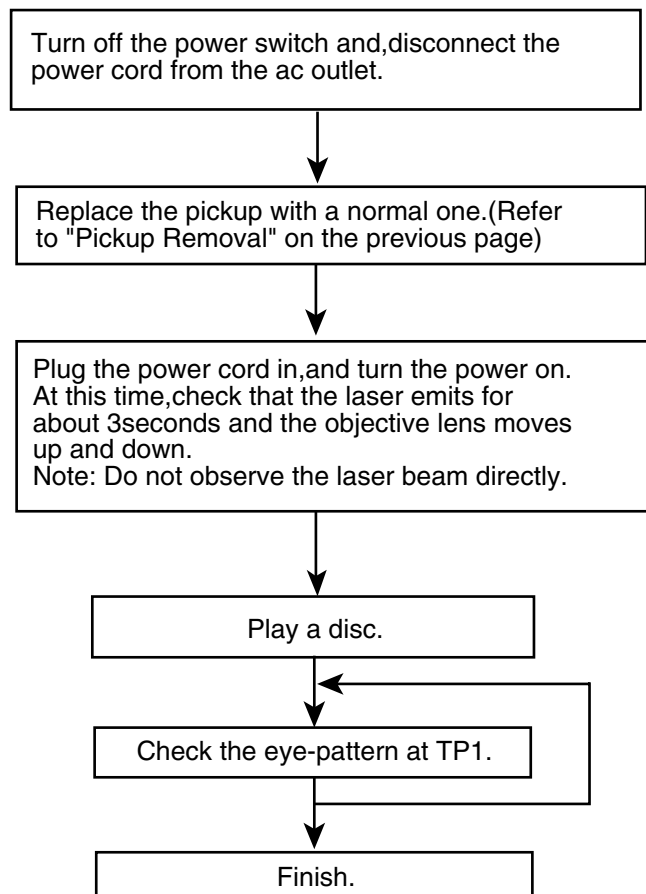
(1) Cleaning the pick up lens
 Before you replace the pick up, please try to clean the lens with a alcohol soaked cotton swab.

(2) Life of the laser diode
 When the life of the laser diode has expired, the following symptoms will appear.
 (1) The level of RF output (EFM output:amplitude of eye pattern) will be low.



Replacement of laser pickup

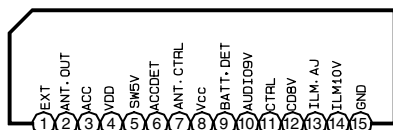
(3) Semi-fixed resistor on the APC PC board
 The semi-fixed resistor on the APC printed circuit board which is attached to the pickup is used to adjust the laser power. Since this adjustment should be performed to match the characteristics of the whole optical block, do not touch the semi-fixed resistor.
 If the laser power is lower than the specified value, the laser diode is almost worn out, and the laser pickup should be replaced.
 If the semi-fixed resistor is adjusted while the pickup is functioning normally, the laser pickup may be damaged due to excessive current.



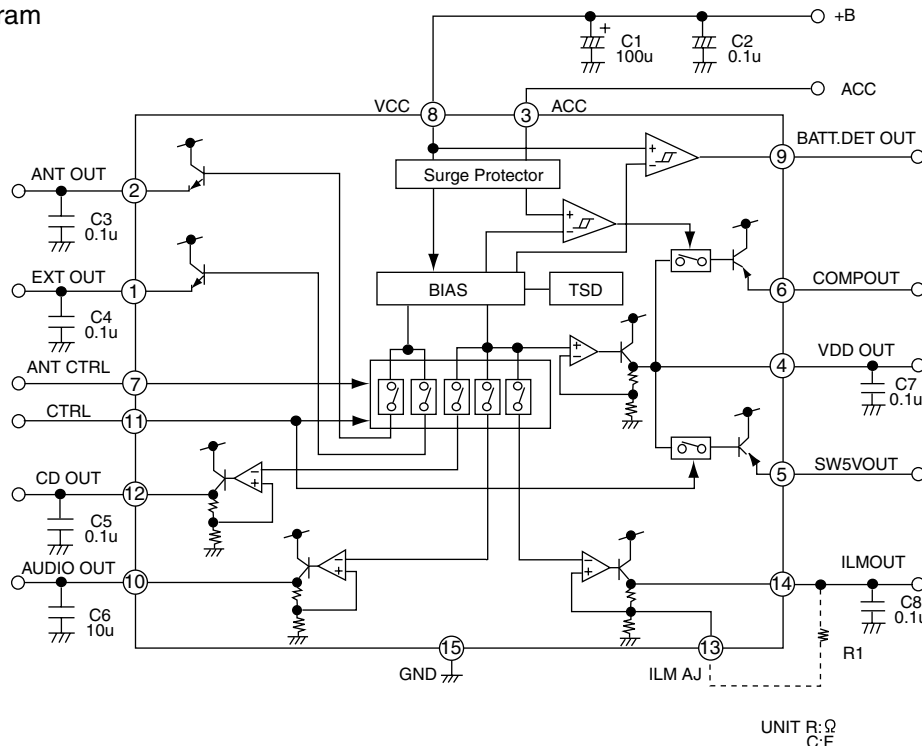
Description of major ICs

HA13164 (IC901) : Regulator

1. Terminal layout



2. Block diagram



note1) TAB (header of IC)
connected to GND

3. Pin function

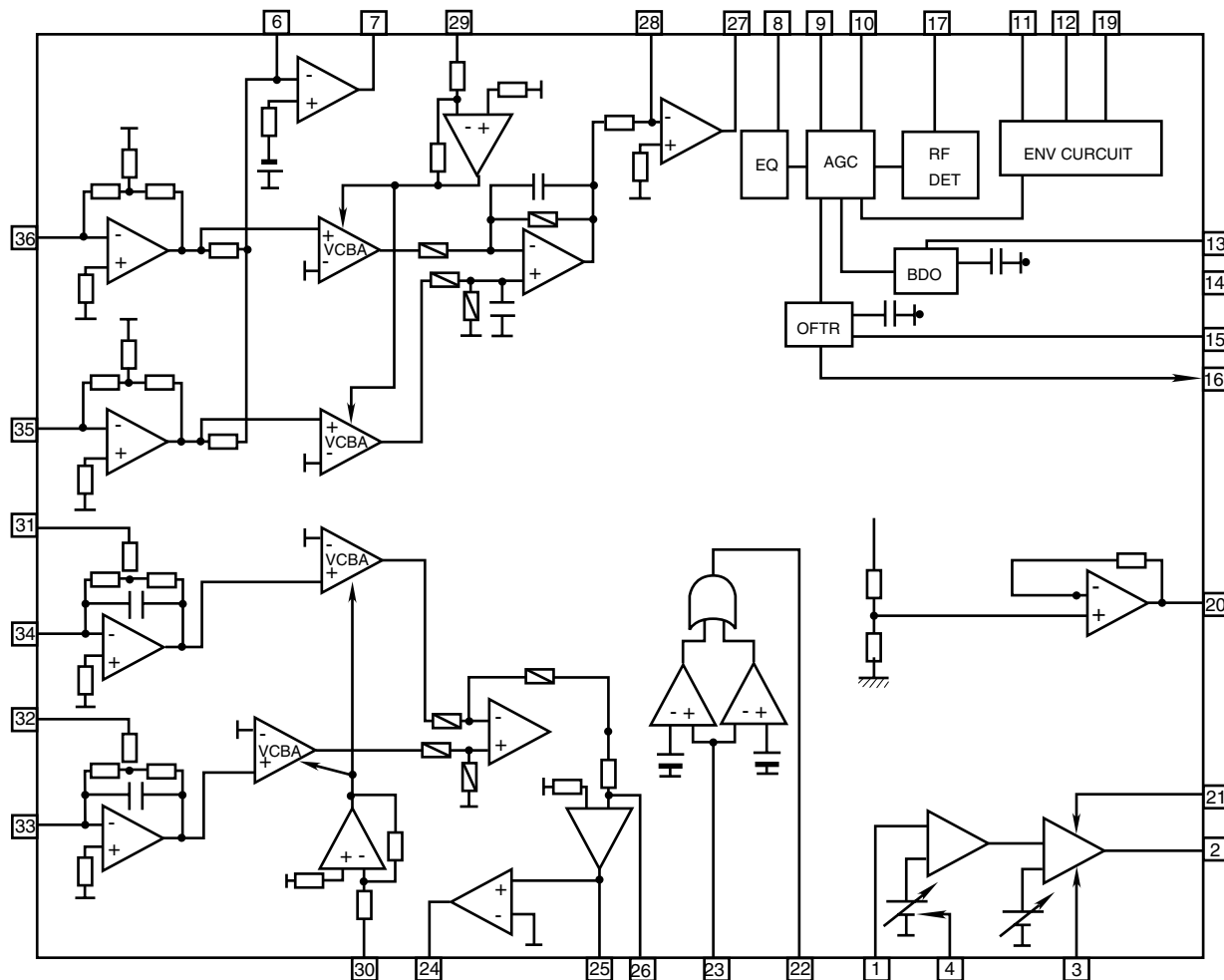
Pin No.	Symbol	Function
1	EXTOUT	Output voltage is VCC-1 V when M or H level applied to CTRL pin.
2	ANTOUT	Output voltage is VCC-1 V when M or H level to CTRL pin and H level to ANT-CTRL.
3	ACCIN	Connected to ACC.
4	VDDOUT	Regular 5.7V.
5	SW5VOUT	Output voltage is 5V when M or H level applies to CTRL pin.
6	COMPOUT	Output for ACC detector.
7	ANT CTRL	L:ANT output OFF , H:ANT output ON
8	VCC	Connected to VCC.
9	BATT DET	Low battery detect.
10	AUDIO OUT	Output voltage is 9V when M or H level applied to CTRL pin.
11	CTRL	L:BIAS OFF, M:BIAS ON, H:CD ON
12	CD OUT	Output voltage is 8V when H level applied to CTRL pin.
13	ILM AJ	Adjustment pin for ILM output voltage.
14	ILM OUT	Output voltage is 10V when M or H level applies to CTRL pin.
15	GND	Connected to GND.

■ AN8806SB-W (IC501) : RF & Servo amp.

1.Pin layout

PD 1	36 PDAC
LD 2	35 PDBD
LDON 3	34 PDF
LDP 4	33 PDE
VCC 5	32 PDER
RF- 6	31 PDFR
RF OUT 7	30 TBAL
RF IN 8	29 FBAL
C.AGC 9	28 EF-
ARF 10	27 EF OUT
C.ENV 11	26 TE-
C.EA 12	25 TE OUT
CS BDO 13	24 CROSS
BDO 14	23 TE BPF
CS BRT 15	22 VDET
OFTR 16	21 LD OFF
/NRFDET 17	20 VREF
GND 18	19 ENV

2.Block diagram



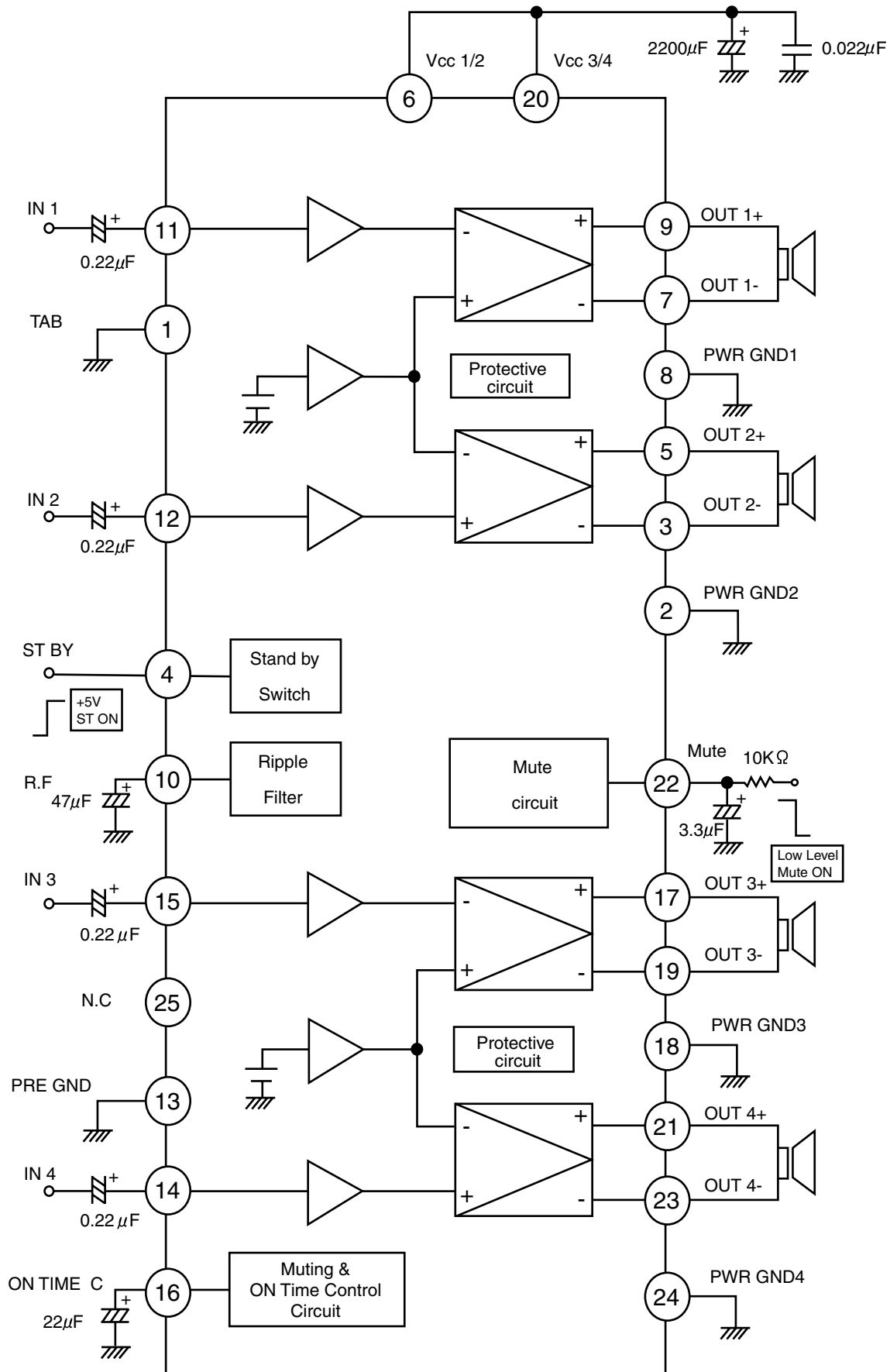
3. Pin function

AN8806SB-W

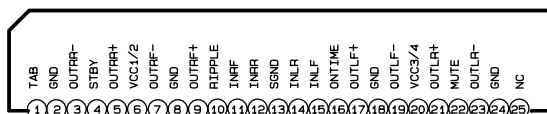
Pin No.	Symbol	I/O	Function
1	PD	I	APC amp . Input terminal
2	LD	O	APC amp . Output terminal
3	LD ON	I	LD ON/OFF control terminal
4	LDP	--	Connect to GND
5	VCC	--	Power supply
6	RF-	I	RF amp . Reversing input terminal
7	RF OUT	O	RFamp . Output terminal
8	RF IN	I	AGC input terminal
9	C.AGC	I/O	AGC loop filter connection terminal
10	ARF	O	ARF output terminal
11	C.ENV	I/O	RF detection capacity connection terminal
12	C.EA	I/O	HPF-amp capacity connection terminal
13	CS BDO	I/O	Capacity connection terminal for RF discernment side envelope detection
14	BDO	O	BDO output terminal
15	CS BRT	I/O	Capacity connection terminal for RF discernment side envelope detection
16	OFTR	O	OFTR output terminal
17	/NRFDET	O	RFDET output terminal
18	GND	--	Connect to GND
19	ENV	O	3TENV output terminal
20	VREF	O	VREF output terminal
21	LD OFF	--	APC OFF control terminal
22	VDET	O	VDET output terminal
23	TE BPF	I	VDET input terminal
24	CROSS	O	CROSS output terminal
25	TE OUT	O	TE amp . Output terminal
26	TE-	I	FE amp . Reversing input terminal
27	FE OUT	O	FE amp . output terminal
28	FE-	I	FE amp . Reversing input terminal
29	FBAL	I	F.BAL control terminal
30	TBAL	I	T.BAL control terminal
31	PDFR	I/O	I-V amp conversion resistance adjustment terminal
32	PDER	I/O	I-V amp conversion resistance adjustment terminal
33	PDF	I	I-V amp input terminal
34	PDE	I	I-V amp input terminal
35	PD BD	I	I-V amp input terminal
36	PD AC	I	I-V amp input terminal

■ LA4743K(IC321):Power AMP

1.Block diagram



2. Terminal layout



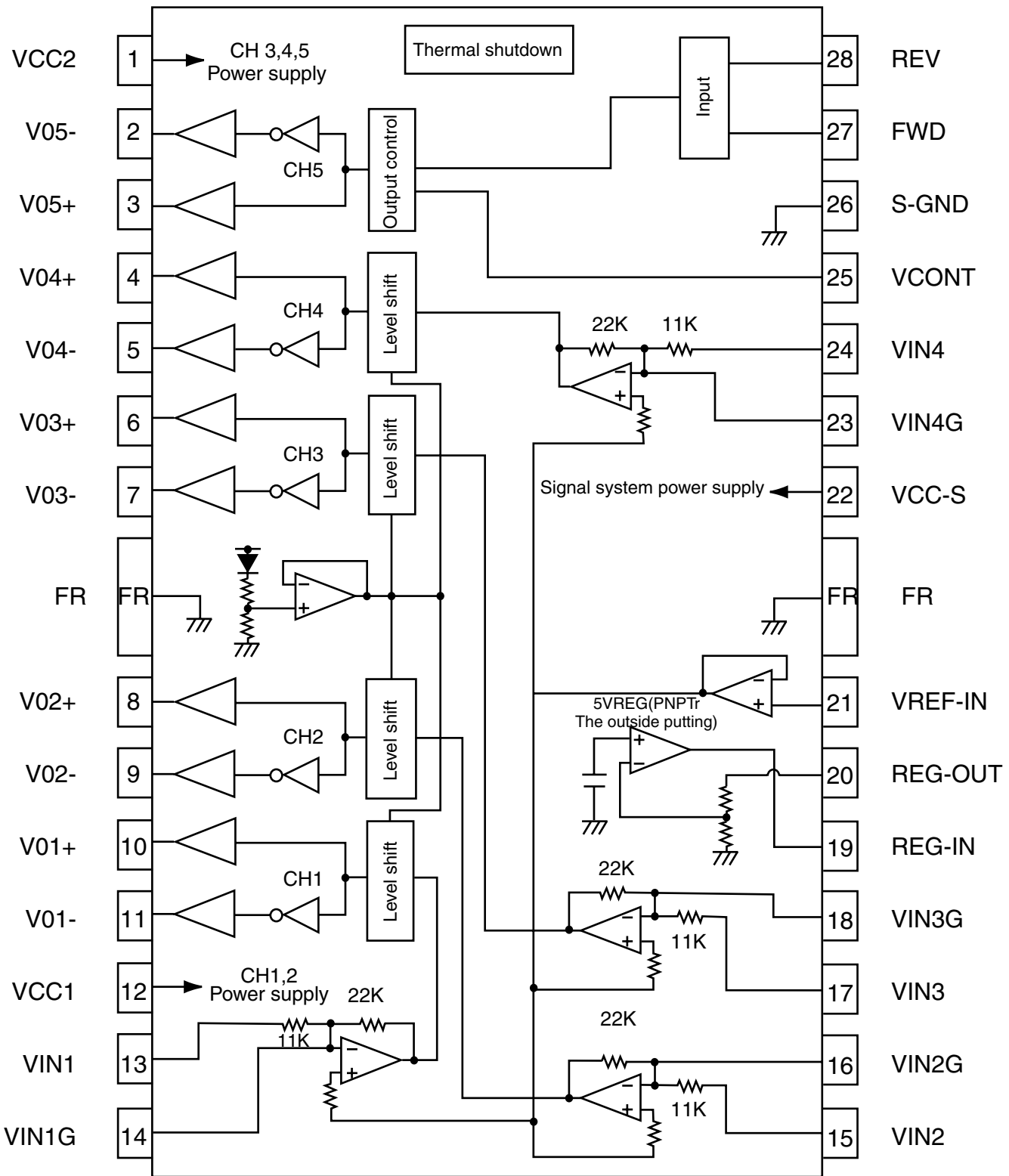
3. Pin function

LA4743K

Pin No.	Symbol	Function
1	TAB	Header of IC
2	GND	Power GND
3	OUTRR-	Outpur(-) for front Rch
4	STBY	Stand by input
5	OUTRR+	Output (+) for front Rch
6	VCC1/2	Power input
7	OUTRF-	Output (-) for rear Rch
8	GND	Power GND
9	OUTRF+	Output (+) for rear Rch
10	RIPPLE	Ripple filter
11	INRF	Rear Rch input
12	INRR	Front Rch input
13	SGND	Signal GND
14	INLR	Front Lch input
15	INLF	Rear Lch input
16	ONTIME	Power on time control
17	OUTLF+	Output (+) for rear Lch
18	GND	Power GND
19	OUTLF-	Output (-) for rear Lch
20	VCC3/4	Power input
21	OUTLR+	Output (+) for front
22	MUTE	Muting control input
23	OUTLR-	Output (-) for front
24	GND	Power GND
25	NC	Non connection

■ LA6567H-X(IC581):CD DRIVER

1.Pin layout & blockdiagram



2. Pin function

LA6567H-X(2/2)

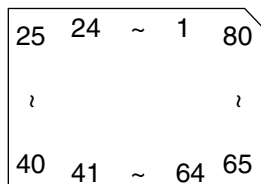
Pin no.	Symbol	Function
1	VCC2	CH3,4,5 Power supply(It is short with VCC1,VCC-S)
2	V05-	Loading output(-)
3	V05+	Loading terminal (+)
4	V04+	CH4 Output terminal(+)
5	V04-	CH4 Output terminal(-)
6	V03+	CH3 Output terminal(+)
7	V03-	CH3 Output terminal(-)
8	V02+	CH2 Output terminal(+)
9	V02-	CH2 Output terminal(-)
10	V01+	CH1 Output terminal(+)
11	V01-	CH1 Output terminal(-)
12	VCC1	CH1,2(BTL) Power supply(It is short with VCC-S,VCC2)
13	VIN1	CH1 Input terminal
14	VIN1G	CH1 Input terminal(For gain adjustment)
15	VIN2	CH2 Input terminal
16	VIN2G	CH2 Input terminal(For gain adjustment)
17	VIN3	CH3 Input terminal
18	VIN3G	CH3 Input terminal(For gain adjustment)
19	REG-IN	Regulator terminal(Outside putting PNP base)
20	REG-OUT	Regulator terminal(Outside putting PNP collector)
21	VREF-IN	Standard voltage input terminal
22	VCC-S	Signal system power supply(It is short with VCC1,VCC2)
23	VIN4G	CH4 Input terminal(For gain adjustment)
24	VIN4	CH4 Input terminal
25	VCONT	5CH(VLO) Output voltage set terminal
26	S-GND	Signal system GND
27	FWD	5CH(VLO)Signal output switch terminal(FWD),Input of logic of loading part
28	REV	5CH(VLO)Signal output switch terminal(REV), Input of logic of loading part

* Frame(FR)at the center becomes system GND.

* Please be short-circuited on the outside and use the terminal of the power supply system and three terminals of VCC-S, VCC1,VCC2.

■ LC72366-9A73 (IC801) : System CPU

1. Pin layout

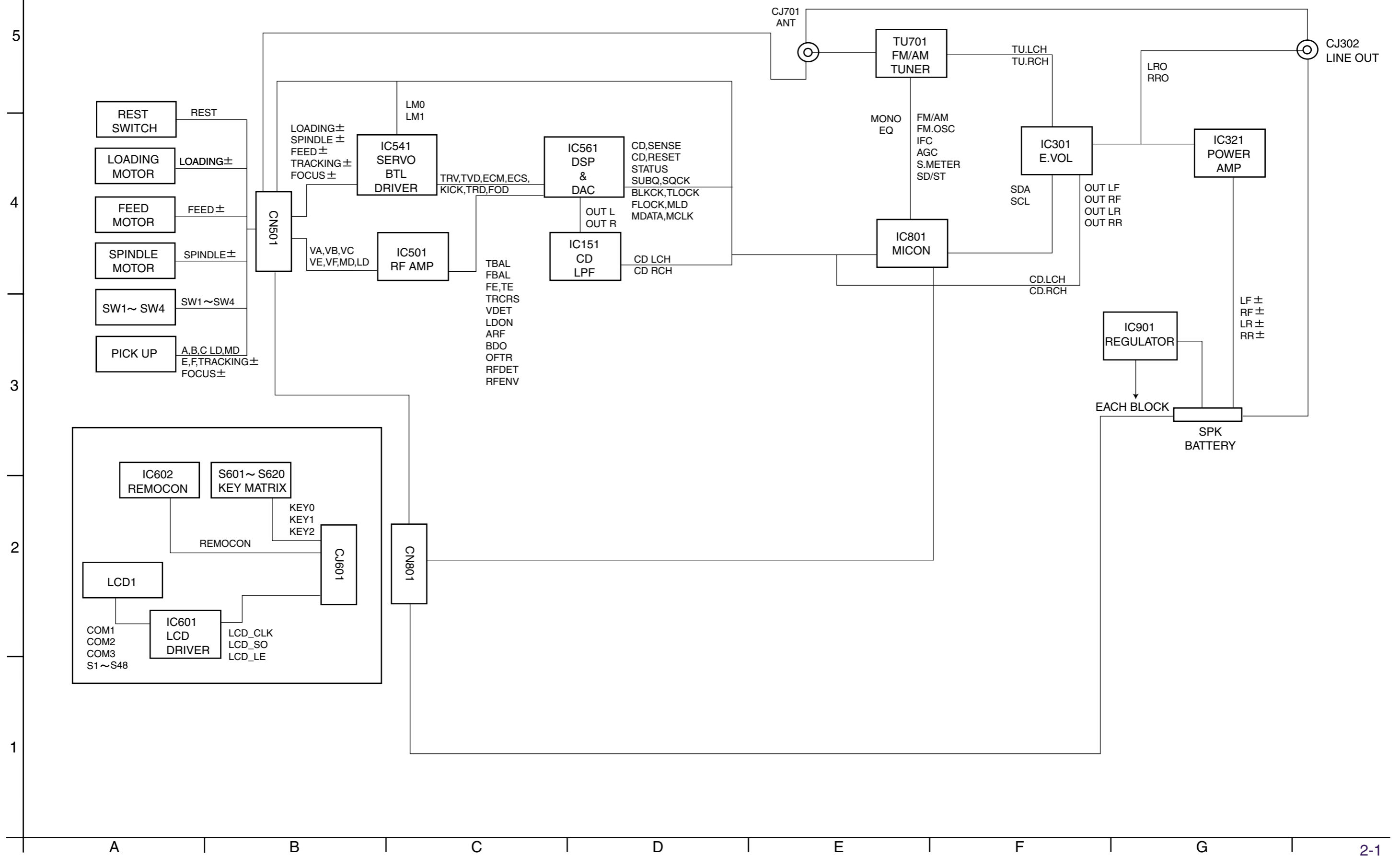


2. Pin function

Pin No.	Symbol	I/O	Function
1	XIN	I	Crystal oscillator input port
2	TEST2	I	Connect to ground
3	J-BUS SI	-	No use
4	J-BUS SO	-	No use
5	J-BUS SCK	-	No use
6	J-BUS I/O	-	No use
7	SUBQ	I/O	CD LSI subcode data input
8		-	No use
9	SQCK	I/O	CD LSI subcode clock
10	RESET	I	Micon reset pin
11	LCD SI	-	No use
12	LCD SO	O	LCD driver data output
13	LCD SCK	O	LCD driver clock signal
14	LCD CE	O	LCD driver chip enable port
15	FM ILLUMI	-	No use
16	AM ILLUMI	-	No use
17	CD ILLUMI	-	No use
18	DIMMER OUT	-	No use
19	LM0	O	CD loading motor output
20	LM1	O	CD loading motor output
21		-	No use
22		-	No use
23		-	No use
24	KS2	O	Output for initial setting diode matrix
25	KS1	O	Output for initial setting diode matrix
26	KS0	O	Output for initial setting diode matrix
27	DETACH	I	Front panel detect
28	K2	-	No use
29	K1	I	Input for initial setting diode matrix
30	K0	I	Input for initial setting diode matrix
31	Vdd	-	5V power supply port (+B)
32	SW2	I	CD mechanism detect switch
33	CD LSI RESET	O	CD LSI reset
34	MCLK	O	CD LSI command clock signal
35	MDATA	O	CD LSI command data output
36	MLD	O	CD LSI command load signal
37		-	No use
38		-	No use
39	SCL	O	E.volume clock output
40	SDA	O	E.volume data output

Pin No.	Port Name	I/O	Function
41	CD ON	-	CD 8V supply on
42	RELAY	-	5V power control
43	BLKCK	I	Sub-code/block/clock signal output
44	BEEP	-	No use
45	SW4	I	CD mechanism detect switch
46	SW1	I	CD mechanism detect switch
47	SW3	I	CD mechanism detect switch
48	REST	I	CD pickup rest position
49	FLOCK	I	Focus lock signal output Active:Low
50	TLOCK	I	Tracking lock signal output Active :low
51	CD SENSE	I	CD LSI sense signal
52	STATUS	I	CD LDI status signal
53	P.SAVES2	I	power save 2:+B detect
54	SD/ST	I	Station detection, Stereo signal input H:SD
55	REMOCON	I	Remocon input
56	J BUS INT	-	No use
57	BAND	O	FM/AM band selection
58	MONO	-	FM mono selection
59	IFRQ/AGC	O	During FM auto search, IF request output H after SD detected. During AM auto search, AGC output
60	MUTE	O	Muting switch
61	LEVEL	I	Level meter input
62	S.METER	I	S meter input
63	KEY CHANGE	-	Control to GND
64	KEY2	I	Key 2 input port
65	KEY1	I	Key 1 input port
66	KEY0	I	Key 0 input port
67	P.SAVE1	I	Power save 1, ACC power detection
68	SENSE	I	Voltage sensor port
69		-	No use
70	FM IF COUNT	I	FM frequency detecting
71	NC	-	No use
72	NC	-	No use
73	Vdd	-	5V power supply (+B)
74	AM OSC	I	No use
75	FM OSC	I	FM limited signal input
76	VSS	-	Ground port for power supply
77	NC	-	No use
78	E0	O	Error signal output port for PLL
79	TEST1	-	Test port for LSI, To connect ground
80	XOUT	O	4.5MHz crystal oscillator output

Block diagram

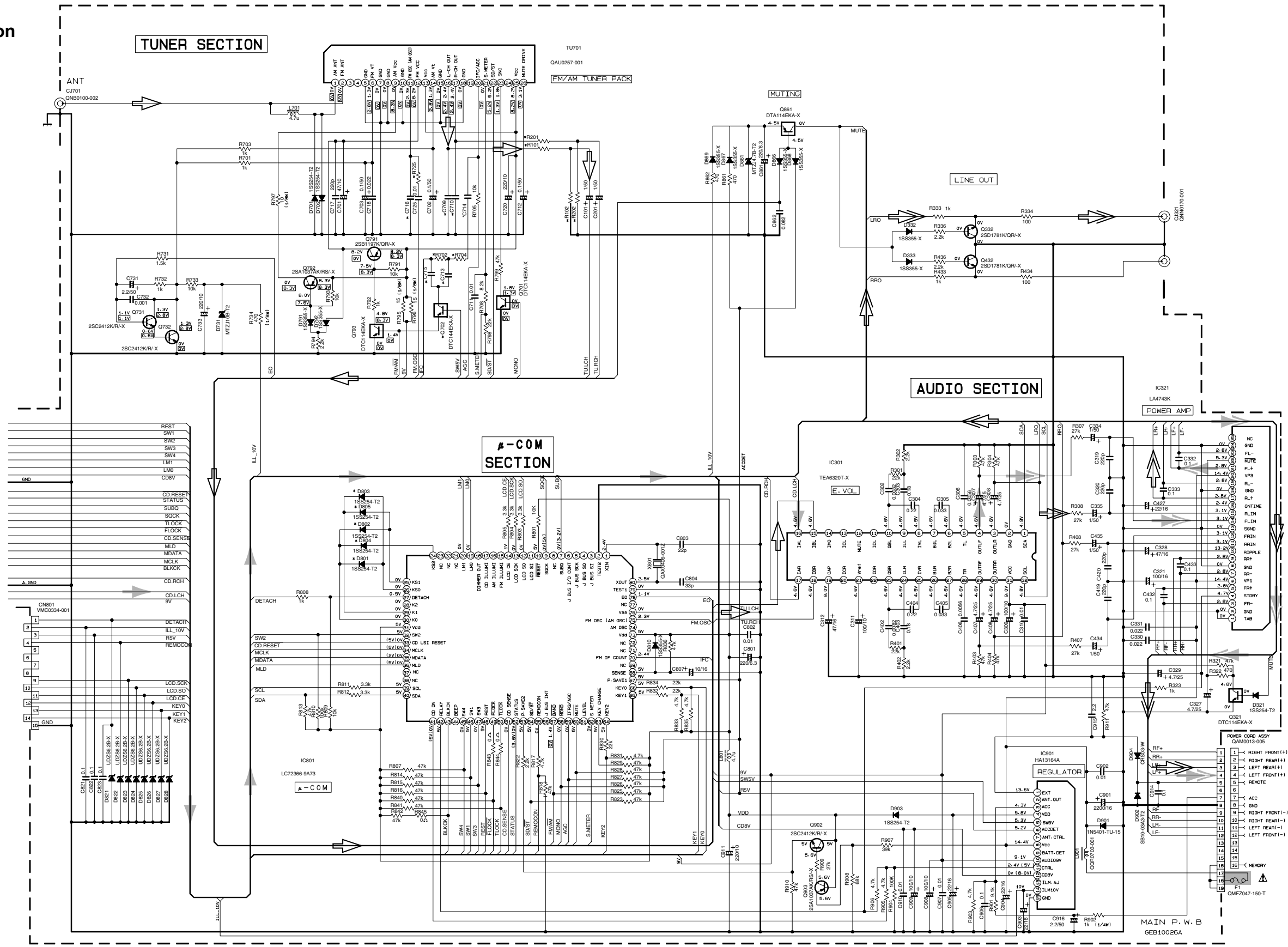


Standard schematic diagrams

KD-S6250/KD-S580

KD-S6250/KD-S580

Main amp section



REMARK 1

C709-C710	0.033
R101-R104	10k
D801	1N4148
D802	1N4148
D803-D805	1N4148
D806	1N4148
D807	1N4148
D808	1N4148
D809	1N4148
D810	1N4148
D811	1N4148
D812	1N4148
D813	1N4148
D814	1N4148
D815	1N4148
D816	1N4148
D817	1N4148
D818	1N4148
D819	1N4148
D820	1N4148
D821	1N4148
D822	1N4148
D823	1N4148
D824	1N4148
D825	1N4148
D826	1N4148
D827	1N4148
D828	1N4148
D829	1N4148
D830	1N4148
D831	1N4148
D832	1N4148
D833	1N4148
D834	1N4148
D835	1N4148
D836	1N4148
D837	1N4148
D838	1N4148
D839	1N4148
D840	1N4148
D841	1N4148
D842	1N4148
D843	1N4148
D844	1N4148
D845	1N4148
D846	1N4148
D847	1N4148
D848	1N4148
D849	1N4148
D850	1N4148
D851	1N4148
D852	1N4148
D853	1N4148
D854	1N4148
D855	1N4148
D856	1N4148
D857	1N4148
D858	1N4148
D859	1N4148
D860	1N4148
D861	1N4148
D862	1N4148
D863	1N4148
D864	1N4148
D865	1N4148
D866	1N4148
D867	1N4148
D868	1N4148
D869	1N4148
D870	1N4148
D871	1N4148
D872	1N4148
D873	1N4148
D874	1N4148
D875	1N4148
D876	1N4148
D877	1N4148
D878	1N4148
D879	1N4148
D880	1N4148
D881	1N4148
D882	1N4148
D883	1N4148
D884	1N4148
D885	1N4148
D886	1N4148
D887	1N4148
D888	1N4148
D889	1N4148
D890	1N4148
D891	1N4148
D892	1N4148
D893	1N4148
D894	1N4148
D895	1N4148
D896	1N4148
D897	1N4148
D898	1N4148
D899	1N4148
D900	1N4148
D901	1N4148
D902	1N4148
D903	1N4148
D904	1N4148
D905	1N4148
D906	1N4148
D907	1N4148
D908	1N4148
D909	1N4148
D910	1N4148
D911	1N4148
D912	1N4148
D913	1N4148
D914	1N4148
D915	1N4148
D916	1N4148
D917	1N4148
D918	1N4148
D919	1N4148
D920	1N4148
D921	1N4148
D922	1N4148
D923	1N4148
D924	1N4148
D925	1N4148
D926	1N4148
D927	1N4148
D928	1N4148
D929	1N4148
D930	1N4148
D931	1N4148
D932	1N4148
D933	1N4148
D934	1N4148
D935	1N4148
D936	1N4148
D937	1N4148
D938	1N4148
D939	1N4148
D940	1N4148
D941	1N4148
D942	1N4148
D943	1N4148
D944	1N4148
D945	1N4148
D946	1N4148
D947	1N4148
D948	1N4148
D949	1N4148
D950	1N4148
D951	1N4148
D952	1N4148
D953	1N4148
D954	1N4148
D955	1N4148
D956	1N4148
D957	1N4148
D958	1N4148
D959	1N4148
D960	1N4148
D961	1N4148
D962	1N4148
D963	1N4148
D964	1N4148
D965	1N4148
D966	1N4148
D967	1N4148
D968	1N4148
D969	1N4148
D970	1N4148
D971	1N4148
D972	1N4148
D973	1N4148
D974	1N4148
D975	1N4148
D976	1N4148
D977	1N4148
D978	1N4148
D979	1N4148
D980	1N4148
D981	1N4148
D982	1N4148
D983	1N4148
D984	1N4148
D985	1N4148
D986	1N4148
D987	1N4148
D988	1N4148
D989	1N4148
D990	1N4148
D991	1N4148
D992	1N4148
D993	1N4148
D994	1N4148
D995	1N4148
D996	1N4148
D997	1N4148
D998	1N4148
D999	1N4148
D1000	1N4148

NOTES:
 1. VOLTAGE ARE DC-MEASURED WITH A DIGITAL VOLTMETER WITHOUT INPUT SIGNAL. CONDITION: —FM () AM MODE, () CD MODE!
 2. UNLESS OTHERWISE SPECIFIED:
 ALL RESISTOR ARE 1/8W 5% TOLERANCE GLAZE RESISTOR.
 ALL CAPACITOR ARE 50V OR 25V CERAMIC CAPACITOR.
 ALL RESISTANCE VALUES ARE IN OHM
 ALL CAPACITANCE VALUES ARE IN uF (p=PF).
 ALL E-CAPACITORS ARE SHOWN IN THE FORM OF CAPACITANCE(uF)/RATED VOLTAGE(V)

	DTC114EKA-X
	DTA114EKA-X

Parts are safety assurance parts. When replacing those parts make sure to use the specified one.

- Tuner Signal
- CD signal
- Front signal
- Rear signal

5
4
3
2
1

A B C 2-2 D E F G H

CD servo & control section

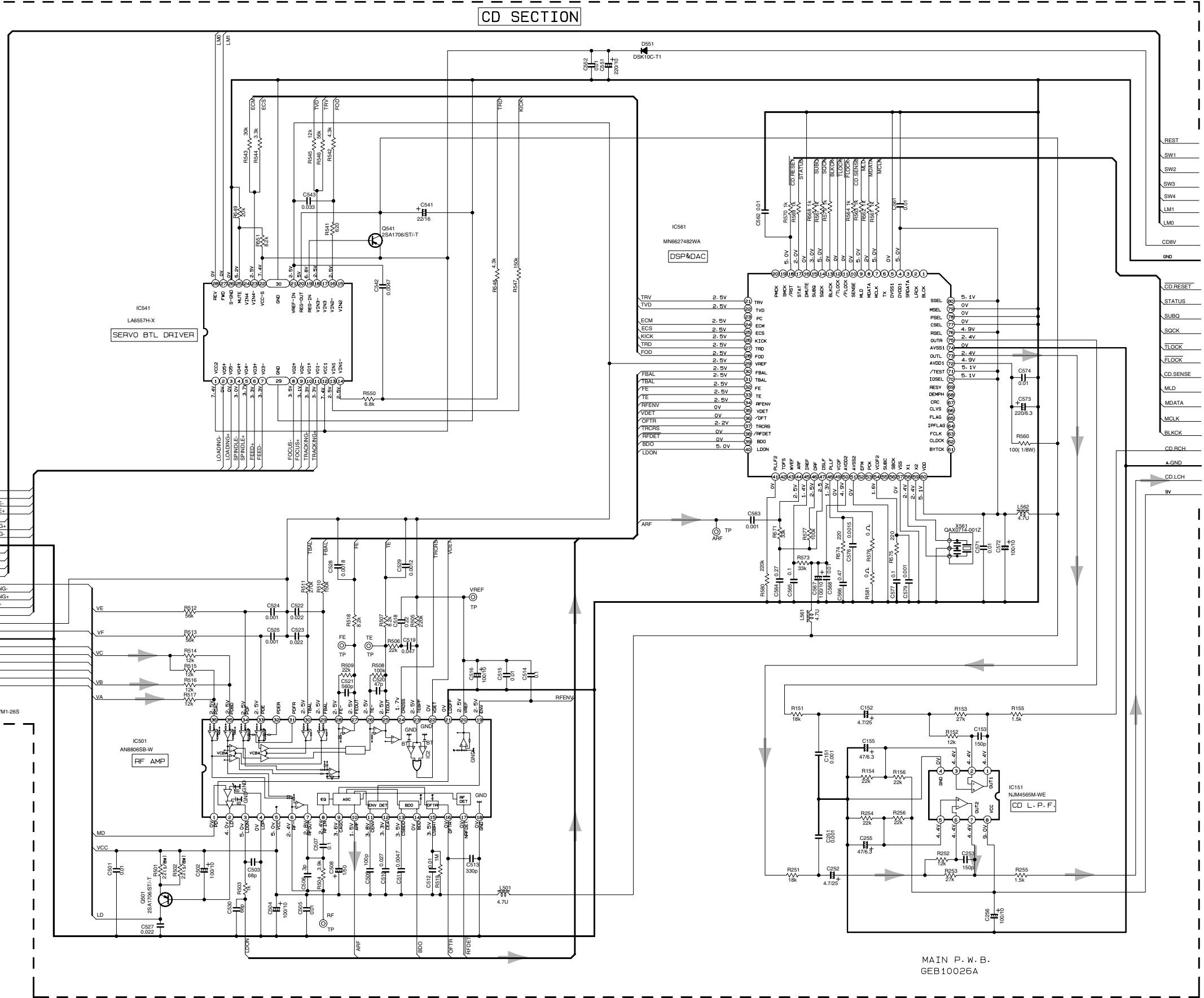
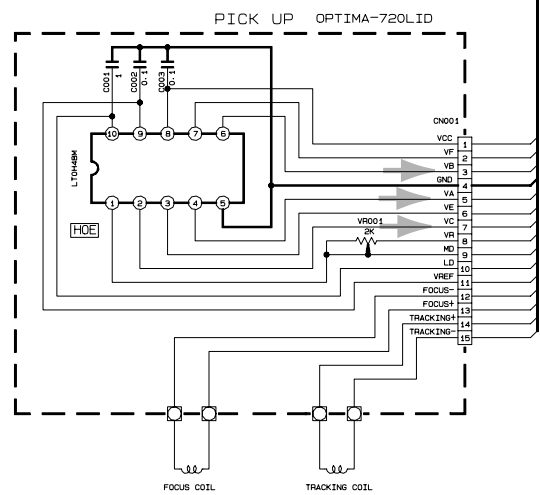
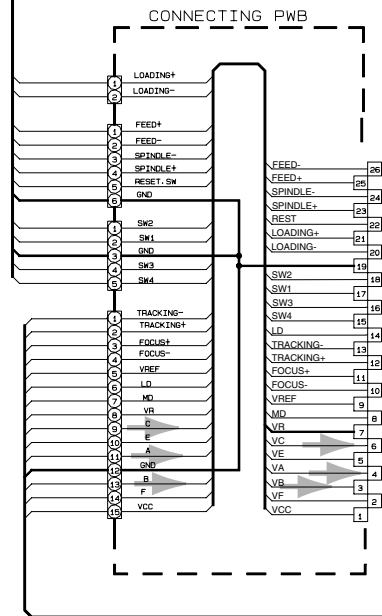
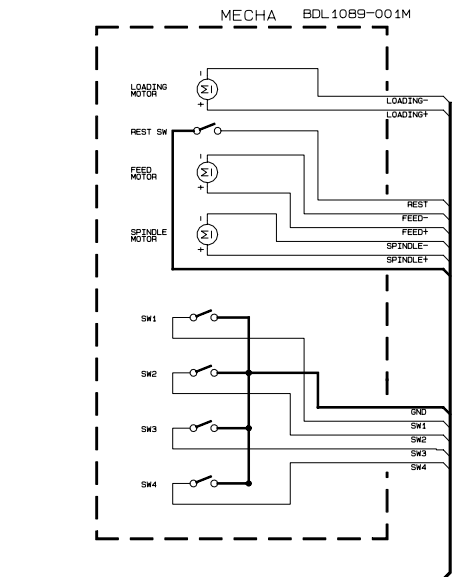
5

4

3

2

1

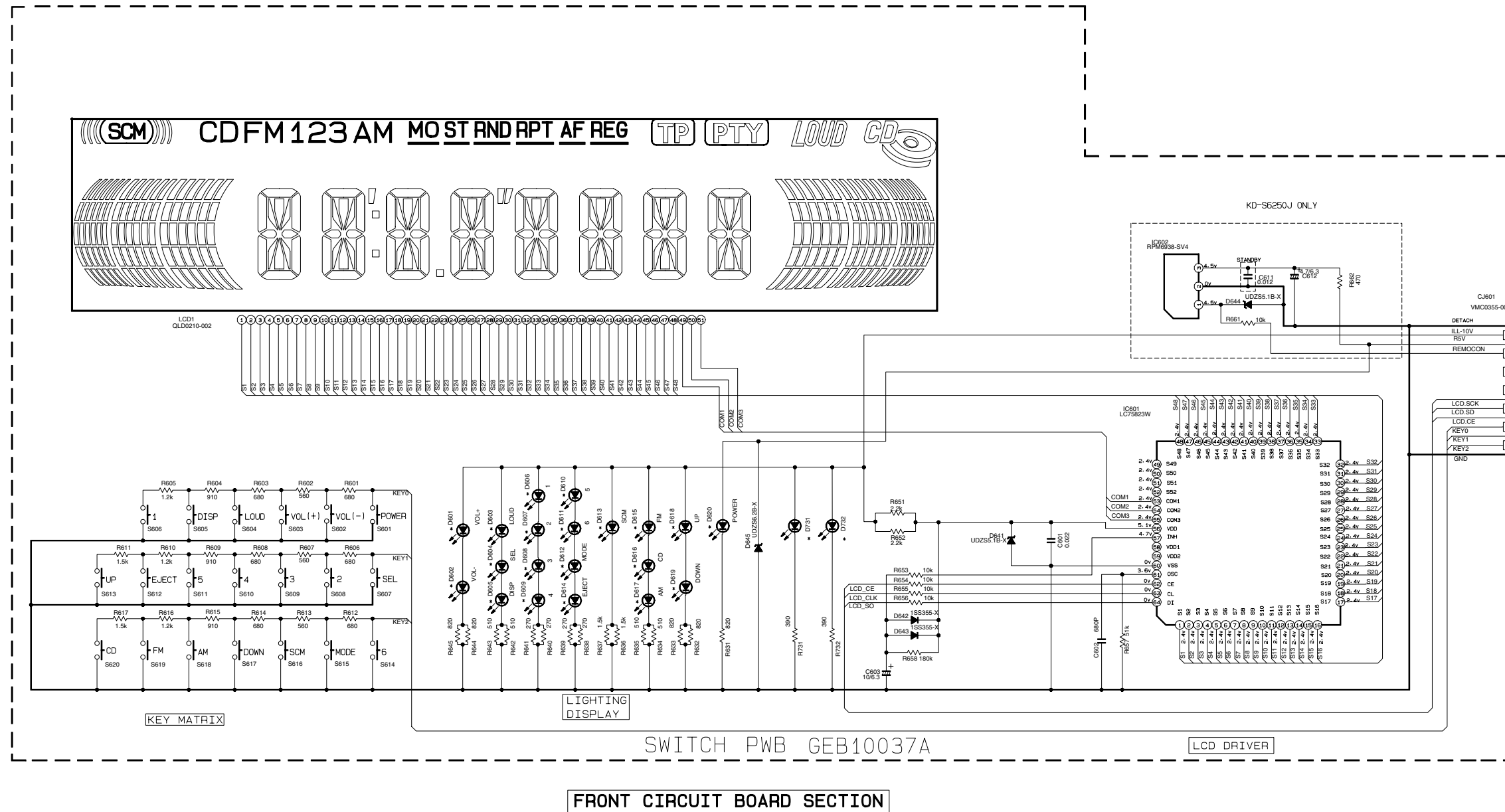


MAIN P.W.B. GEB10026A

NOTE: 1. VOLTAGE ARE DC-MEASURED WITH DIGITAL VOLTMETER WITHOUT INPUT SIGNAL CONDITION. 2. UNLESS OTHERWISE SPECIFIED, ALL RESISTORS ARE 1/16W 25K METAL GLAZE RESISTOR. ALL CAPACITORS ARE 50V OR 25V CERAMIC CAPACITOR. ALL RESISTANCE VALUES ARE IN OHM. ALL CAPACITANCE VALUES ARE IN UF (p=PF). ALL CAPACITORS ARE SHOWN IN THE FORM OF CAPACITANCE(UF)/RATED VOLTAGE(V)

➔ CD signal

■ LCD & key control section



REMARK:

	KD-S580J KD-S6250J
D731 D732	NEPW310BS/BRS/
D601 - D619	SML-310VT/UK/-X
D620	SML-310LT/MV/-X
D613	LAL3026B1/1-3/X
S601 - S620	NEW0066-001X

- NOTES
1. VOLTAGES ARE DC-MEASURED WITH A DIGITAL VOLT METER WITHOUT INPUT SIGNAL.
 2. UNLESS OTHERWISE SPECIFIED:
 ALL RESISTORS ARE 1/16W ±5% METAL GLAZE RESISTOR.
 ALL CAPACITORS ARE 50V OR 25V CERAMIC CAPACITOR.
 ALL RESISTANCE VALUES ARE IN OHM.
 ALL CAPACITANCE VALUES ARE IN UF(=PF).
 ALL E. CAPACITORS ARE SHOWN IN THE FORM OF CAPACITANCE (UF/RATED VOLTAGE(V)).

5
4
3
2
1

A B C 2-4 D E F G H

■ Parts list (General assembly)

Block No. M1MM

△	Item	Parts number	Parts name	Q'ty	Description	Area
	1	-----	CD MECHA	1	TN-CCD1001Z	
	2	FSJC1029-401	TOP CHASSIS	1		
	3	FSMH3001-204	SIDE PANEL	1	KD-S6250	
		FSMH3001-202	SIDE PANEL	1	KD-S580	
	4	FSKM3011-002	BOTTOM COVER	1		
	5	FSMA3004-203	INSULATOR	1		
	6	QYSDST2604Z	SCREW	3	CHASSIS+MECHA BKT	
	7	FSKZ4005-001	SCREW	2	CHASSIS+SIDE PANEL	
	8	QYSDST2604Z	SCREW	3	CHASSIS+REAR BKT	
	9	QYSDST2606Z	SCREW	2	CHASSIS+MAIN PWB	
	10	FSKZ4005-001	SCREW	1	SIDE PANEL+IC BKT	
	11	FSJC2013-014	FRONT CHASSIS	1	KD-S6250	
		FSJC2013-013	FRONT CHASSIS	1	KD-S580	
	12	FSKS3010-001	LOCK LEVER	1		
	13	FSKW4005-003	TORSION SPRING	1	FOR LOCK LEVEL	
	14	FSXP3026-002	RLS KNOB	1		
	15	FSKW3002-015	COMP.SPRING	1		
	16	FSPK3009-002	BLIND	1		
	17	GE10037-001A	FRONT PANEL	1	KD-S580	
		GE10037-003A	FRONT PANEL	1	KD-S6250	
	18	GE30300-001A	FINDER ASSY	1	KD-S580	
		GE30300-002A	FINDER ASSY	1	KD-S6250	
	19	GE20119-001A	PRESET BUTTON	1	1-6	
	20	GE30304-001A	POWER BUTTON	1		
	21	GE30305-001A	EJECT BUTTON	1		
	22	GE20131-001A	D FUNC BUTTON	1	KD-S580	
		GE20131-002A	D FUNC BUTTON	1	KD-S6250	
	23	GE30307-001A	SND FTN BUTTON	1		
	24	GE20130-001A	PUSH BUTTON	1	KD-S580	
		GE20130-002A	PUSH BUTTON	1	KD-S6250	
	25	GE20118-001A	+/- BUTTON	1		
	26	GE20120-001A	UP/DOWN BUTTON	1		
	27	GE30306-001A	DETACH BUTTON	1		
	28	FSKW3002-012	COMP. SPRING	1	FOR DETACH BUTTON	
	29	GE30117-001A	CD LENS	1		
	30	GE10038-001A	REAR COVER	1	KD-S580	
		GE10038-002A	REAR COVER	1	KD-S6250	
	31	VKZ4777-001	MINI SCREW	4	FRONT+REAR	
	32	QLD0210-002	LCD	1		
	33	GE30302-001A	LCD CASE	1		
	34	FSJK3025-001	LCD LENS	1		
	35	GE30301-001A	LENS CASE	1		
	36	GE40142-001A	LIGHTING SHEET	1		
	37	FSYH4071-003	LIGHTING SHEET	1		
	38	QNZ0442-001	RUBBER CONNE	1		
	39	GE30344-002A	NAME PLATE	1	KD-S580	
		GE30343-002A	NAME PLATE	1	KD-S6250	
△	40	QMFZ047-150-T	FUSE	1		

■ Parts list (General assembly)

Block No. M1MM

▲	Item	Parts number	Parts name	Q'ty	Description	Area
	41	VMA4652-001SS	EARTH PLATE	1		
	42	FSKM3010-020	REAR BRACKET	1		
	43	FSKL4024-001	IC BRACKET	1	FOR 45W IC	
	44	GE40104-001B	HEAT SINK	1		
	45	GE40103-001A	REG BRACKET	1		
	46	QYSDST2606Z	SCREW	1	FOR ANT	
	47	QYSDSF3006Z	SCREW	1	LINE OUT	
	48	QYSDST2606Z	SCREW	3	16P & TR BRACK	
	49	FSKS3016-002	LED HOLDER	1		

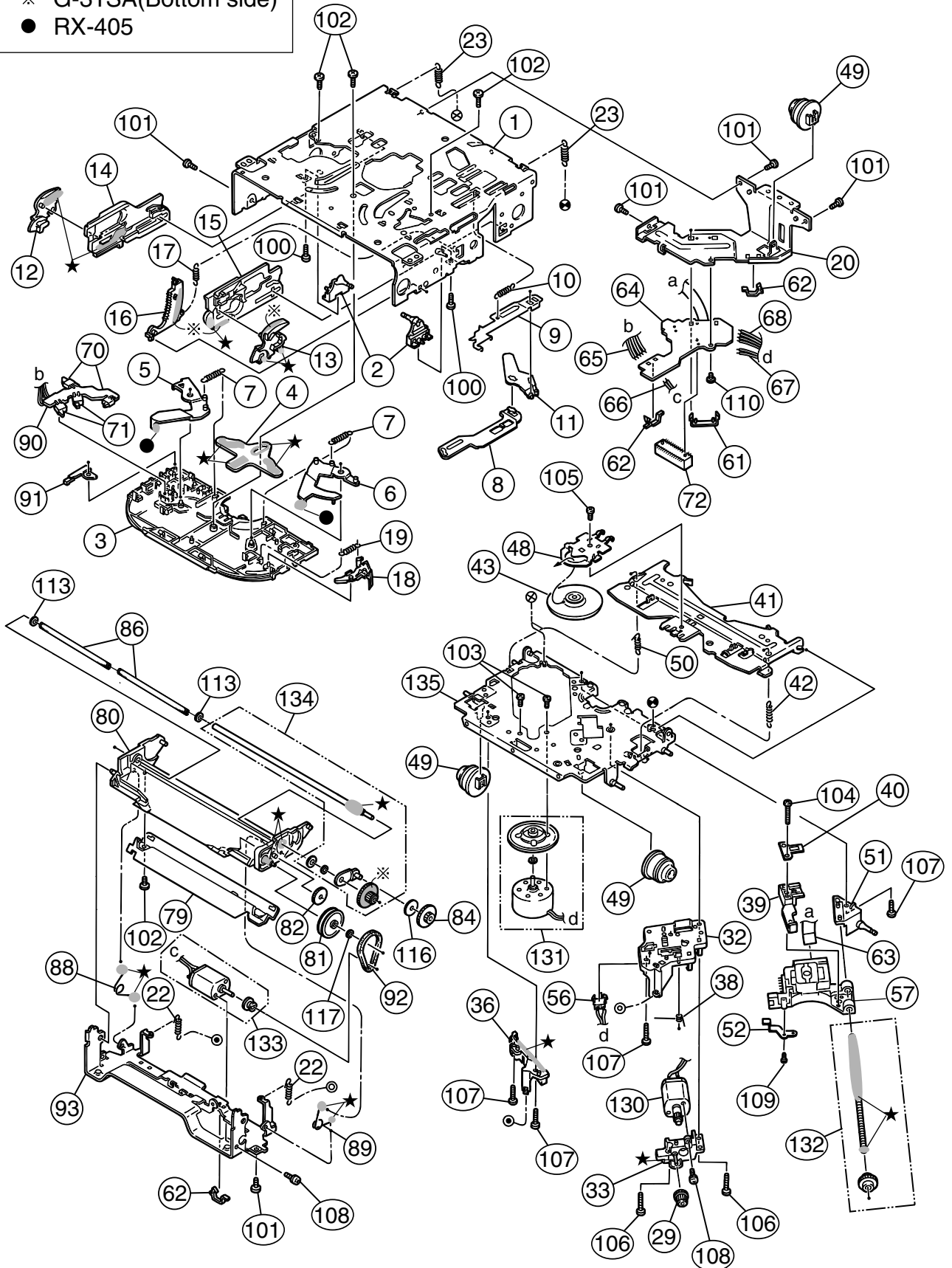
CD mechanism assembly and parts list

Grease

- ★ G-31SA
- ※ G-31SA(Bottom side)
- RX-405

TN-CCD1001Z-136J

Block No. M B M M



■ Parts list (CD mechanism)

Block No. MBMM

△	Item	Parts number	Parts name	Q'ty	Description	Area
	1	30310101T	FRAME	1		
	2	30310103T	DANPER PIN	2		
	3	30310107T	UPPER PLATE	1		
	4	30310108T	SEL STOP PLATE	1		
	5	30310142T	SEL ARM (L)L	1		
	6	30310143T	SEL ARM (R)L	1		
	7	30310145T	S ARM SPRING(L)	2		
	8	30310112T	TRIG LEVER	1		
	9	30310155T	TRIG PL(Z)	1		
	10	30310115T	TRIG PL SPRING	1		
	11	30310116T	TRIG ARM	1		
	12	30310134T	FIX ARM (L)B	1		
	13	30310159T	FIX ARM (R)Z	1		
	14	30310150T	FIX PL (L)Z	1		
	15	30310156T	FIX PL (R) Z	1		
	16	30310138T	LDG GR (6)B	1		
	17	30310122T	LDG GEAR (6)SP	1		
	18	30310148T	S.L ARM(N)	1		
	19	30310125T	S.L ARM SPRING	1		
	20	30310149T	REAR DAM BKT(Z)	1		
	22	30310151T	HUNG UP SP (FZ)	2		
	23	30310129T	HUNG UP SP (R)	2		
	29	30300510T	PU GEAR(B)	1		
	32	30310544T	F.M.BASE(Z)	1		
	33	30310547T	FD GR BLK(Z)	1		
	36	30310546T	PU GUIDE(Z)	1		
	38	30310533T	THRUST SPR(M)	1		
	39	30310548T	PU M NUT(Z)	1		
	40	30310512T	NUT PUSH SPR PL	1		
	41	30310558T	CLP ARM(Z)	1		
	42	30310514T	CLP ARM SPRING	1		
	43	30310552T	CLAMPER(Z)	1		
	48	30310557T	CLAMPER PLATE(Z)	1		
	49	30310524T	DAMPER (J)	3		
	50	30310525T	CLP ARM SPR (L)	1		
	51	30310545T	F SCREW GUIDE(Z)	1		
	52	30310556T	PU G.SP PLT(Z)	1		
	56	64180405T	DET SW	1	ESE11SF4	
	57	OPTIMA-720L1	C.D PICK (CAR)	1		
	61	30311035T	FPC HOLDER(Z)	1		
	62	19501403T	WIRE CLAMPER	3		
	63	30311037T	PICK UP FPC(Z)	1		
	64	30311036T	CONNECT.PCB(Z-J)	1		
	65	30311038T	WIRE (5P-Z)	1		
	66	30311039T	WIRE (LD-Z)	1		
	67	30311040T	WIRE (FD-Z)	1		
	68	30311041T	WIRE (RS-Z)	1		
	70	64180402T	DET SWITCH	2	ESE22MH1	

Parts list (CD mechanism)

Block No. MBMM

△	Item	Parts number	Parts name	Q'ty	Description	Area
	71	64180403T	DET SWITCH	2	ESE22MH3	
	72	68150232T	CONNECTOR	1	TKC-W26X-C1	
	79	30311105T	SOPPORT PLATE	1		
	80	30311138T	GR MT BLK(N)	1		
	81	30311109T	LDG GEAR (2)	1		
	82	30311110T	LDG GEAR (3)	1		
	84	30311112T	LDG GEAR (5)	1		
	86	30311136T	LDG ROLLER	2		
	88	30311118T	L.P SPRING (L)	1		
	89	30311119T	L.P SPRING (R)	1		
	90	30311123T	SW PCB	1		
	91	30311124T	SW ACTUATOR	1		
	92	30311129T	LDG BELT	1		
	93	30311140T	FRONT BRKT (J)	1		
	100	9C0620503T	C B TAP SCREW	2	M2X5	
	101	9C2020401T	C SCREW TS.G	5	M2X4	
	102	9C4320403T	C B TAP SCREW	4	M2X4	
	103	9C0117223T	SCREW	2	M1.7X2.2	
	104	9C0917703T	C TAP SCREW S3	1	M1.7X7	
	105	9C0320201T	C TAP SCREW S3	1	M2X2	
	106	9C4920013T	C TAP SCREW S3	2	M2X10	
	107	9C4920603T	C TAP SCREW B3	4	M2X6	
	108	9P0220031T	TAMS SCREW	2	M2X3	
	109	9C0314203T	C TAP SCREW	1	M1.4X2	
	110	9C0420253	C TAP SCREW	1	M2X2.5	
	113	9W0330276	NW BLUE	2	2.9X5X0.3	
	116	9W0725030T	LUMILAR W	1	2.3X9.8X0.25	
	117	9W0640030T	WASHER	1	1.4X3.2X0.4	
	130	303105310T	FEED MO ASSY	1		
	131	303105311T	SPINDLE MO ASSY	1		
	132	303105312T	FEED SCREW ASSY	1		
	133	303111301T	LDG MOTOR ASSY	1		
	134	303111302T	RDG RLR SFT ASY	1		
	135	303105502T	T.T.BASE ASSY	1		

■ Electrical parts list (Main board)

Block No. 01

△	Item	Parts number	Parts name	Remarks	Area
	C 101	QERF1HM-105Z	E CAPACITOR	1.0MF 20% 50V	
	C 151	NCB31HK-102X	C CAPACITOR		
	C 152	QEKJ1EM-475Z	E CAPACITOR	4.7MF 20% 25V	
	C 153	NDC31HJ-151X	C CAPACITOR		
	C 155	QEKJ0JM-476Z	E CAPACITOR	47MF 20% 6.3V	
	C 201	QERF1HM-105Z	E CAPACITOR	1.0MF 20% 50V	
	C 251	NCB31HK-102X	C CAPACITOR		
	C 252	QERF1EM-475Z	E CAPACITOR	4.7MF 20% 25V	
	C 253	NDC31HJ-151X	C CAPACITOR		
	C 255	QERF0JM-476Z	E CAPACITOR	47MF 20% 6.3V	
	C 256	QERF1AM-107Z	E CAPACITOR	100MF 20% 10V	
	C 302	NCB31HK-822X	C CAPACITOR		
	C 303	NCB21CK-184X	C CAPACITOR		
	C 304	NCB21CK-224X	C CAPACITOR		
	C 305	NCB21HK-333X	C CAPACITOR		
	C 306	NCB31HK-562X	C CAPACITOR		
	C 307	QERF1EM-475Z	E CAPACITOR	4.7MF 20% 25V	
	C 308	QERF1EM-475Z	E CAPACITOR	4.7MF 20% 25V	
	C 309	QEKJ1AM-107Z	E CAPACITOR	100MF 20% 10V	
	C 310	NCB31HK-103X	C CAPACITOR		
	C 311	QEKJ1AM-107Z	E CAPACITOR	100MF 20% 10V	
	C 312	QEKJ1CM-476Z	E CAPACITOR	47MF 20% 16V	
	C 319	NCS31HJ-221X	C CAPACITOR		
	C 320	NCS31HJ-221X	C CAPACITOR		
	C 321	QERF1CM-107Z	E CAPACITOR	100MF 20% 16V	
	C 327	QEKJ1EM-475Z	E CAPACITOR	4.7MF 20% 25V	
	C 328	QEKJ1CM-476Z	E CAPACITOR	47MF 20% 16V	
	C 329	QEKJ1EM-475Z	E CAPACITOR	4.7MF 20% 25V	
	C 330	NCB31HK-223X	C CAPACITOR		
	C 331	NCB31HK-223X	C CAPACITOR		
	C 332	NCB31EK-104X	C CAPACITOR		
	C 333	NCB31EK-104X	C CAPACITOR		
	C 334	QERF1HM-105Z	E CAPACITOR	1.0MF 20% 50V	
	C 335	QERF1HM-105Z	E CAPACITOR	1.0MF 20% 50V	
	C 402	NCB31HK-822X	C CAPACITOR		
	C 403	NCB21CK-184X	C CAPACITOR		
	C 404	NCB21CK-224X	C CAPACITOR		
	C 405	NCB21HK-333X	C CAPACITOR		
	C 406	NCB31HK-562X	C CAPACITOR		
	C 407	QERF1EM-475Z	E CAPACITOR	4.7MF 20% 25V	
	C 408	QERF1EM-475Z	E CAPACITOR	4.7MF 20% 25V	
	C 419	NCS31HJ-221X	C CAPACITOR		
	C 420	NCS31HJ-221X	C CAPACITOR		
	C 427	QEKJ1CM-226Z	E CAPACITOR	22MF 20% 16V	
	C 432	NCB31EK-104X	C CAPACITOR		
	C 433	NCB31EK-104X	C CAPACITOR		
	C 434	QERF1HM-105Z	E CAPACITOR	1.0MF 20% 50V	
	C 435	QERF1HM-105Z	E CAPACITOR	1.0MF 20% 50V	
	C 501	NCB31EK-103X	C CAPACITOR		
	C 502	QEKJ1AM-107Z	E CAPACITOR	100MF 20% 10V	
	C 503	NCS31HJ-680X	C CAPACITOR		
	C 504	QEKJ1AM-107Z	E CAPACITOR	100MF 20% 10V	
	C 505	NCB31EK-103X	C CAPACITOR		
	C 506	NDC31HJ-3R0X	C CAPACITOR		
	C 507	NCB31EK-104X	C CAPACITOR		
	C 508	QEKJ1HM-105Z	E CAPACITOR	1.0MF 20% 50V	
	C 509	NDC31HJ-101X	C CAPACITOR		
	C 510	NCB31EK-273X	C CAPACITOR		
	C 511	NCB31HK-472X	C CAPACITOR		
	C 512	NCB31HK-103X	C CAPACITOR		
	C 513	NDC31HJ-331X	C CAPACITOR		
	C 514	NCB31EK-104X	C CAPACITOR		
	C 515	NCB31EK-103X	C CAPACITOR		

△	Item	Parts number	Parts name	Remarks	Area
	C 516	QEKJ1AM-107Z	E CAPACITOR	100MF 20% 10V	
	C 518	NCB31AK-224X	C CAPACITOR		
	C 519	NCB31EK-473X	C CAPACITOR		
	C 520	NDC31HJ-470X	C CAPACITOR		
	C 521	NDC31HJ-561X	C CAPACITOR		
	C 522	NCB31HK-223X	C CAPACITOR		
	C 523	NCB31HK-223X	C CAPACITOR		
	C 524	NCB31HK-102X	C CAPACITOR		
	C 525	NCB31HK-102X	C CAPACITOR		
	C 527	NCB31EK-223X	C CAPACITOR		
	C 528	NCB31HK-182X	C CAPACITOR		
	C 529	NCB31HK-122X	C CAPACITOR		
	C 530	NDC31HJ-680X	C CAPACITOR		
	C 541	QERF1CM-226Z	E CAPACITOR	22MF 20% 16V	
	C 542	NCB31HK-472X	C CAPACITOR		
	C 543	NCB31EK-333X	C CAPACITOR		
	C 551	QERF1AM-227Z	E CAPACITOR	220MF 20% 10V	
	C 552	NCB31EK-103X	C CAPACITOR		
	C 561	NCB31EK-103X	C CAPACITOR		
	C 562	NCB31EK-103X	C CAPACITOR		
	C 563	NCB31HK-102X	C CAPACITOR		
	C 564	NCB21CK-274X	C CAPACITOR		
	C 565	NCB31EK-104X	C CAPACITOR		
	C 566	NCB31AK-474X	C CAPACITOR		
	C 567	QERF1AM-107Z	E CAPACITOR	100MF 20% 10V	
	C 568	NCB31EK-103X	C CAPACITOR		
	C 571	NCB31EK-103X	C CAPACITOR		
	C 572	QEKJ1AM-107Z	E CAPACITOR	100MF 20% 10V	
	C 573	QERF1AM-227Z	E CAPACITOR	220MF 20% 10V	
	C 574	NCB31EK-103X	C CAPACITOR		
	C 576	NCB31HK-152X	C CAPACITOR		
	C 577	NCB31EK-104X	C CAPACITOR		
	C 579	NCB31HK-102X	C CAPACITOR		
	C 701	QERF1AM-476Z	E CAPACITOR	47MF 20% 10V	
	C 702	QEKJ1HM-104Z	E CAPACITOR	.10MF 20% 50V	
	C 703	QERF1HM-104Z	E CAPACITOR	.10MF 20% 50V	
	C 709	NCB31EK-333X	C CAPACITOR		
	C 710	NCB31EK-333X	C CAPACITOR		
	C 711	NCB31EK-103X	C CAPACITOR		
	C 712	QEKJ1HM-104Z	E CAPACITOR	.10MF 20% 50V	
	C 714	NCS31HJ-121X	C CAPACITOR		
	C 717	NCS31HJ-221X	C CAPACITOR		
	C 718	NCB31EK-223X	C CAPACITOR		
	C 720	QERF1AM-227Z	E CAPACITOR	220MF 20% 10V	
	C 725	NCB31EK-103X	C CAPACITOR		
	C 731	QERF1HM-225Z	E CAPACITOR	2.2MF 20% 50V	
	C 732	NCB31HK-102X	C CAPACITOR		
	C 733	QERF1AM-227Z	E CAPACITOR	220MF 20% 10V	
	C 801	QEKJ0JM-227Z	E CAPACITOR	220MF 20% 6.3V	
	C 802	NCB31EK-103X	C CAPACITOR		
	C 803	NDC31HJ-220X	C CAPACITOR		
	C 804	NDC31HJ-330X	C CAPACITOR		
	C 807	QERF1CM-106Z	E CAPACITOR	10MF 20% 16V	
	C 821	NCB31EK-104X	C CAPACITOR		
	C 822	NCB31EK-104X	C CAPACITOR		
	C 823	NCB31EK-104X	C CAPACITOR		
	C 861	QEKJ0JM-227Z	E CAPACITOR	220MF 20% 6.3V	
	C 862	NCB31EK-823X	C CAPACITOR		
	C 901	QEZ0337-228	E CAPACITOR	2200MF	
	C 902	NCB31HK-103X	C CAPACITOR		
	C 903	QEKJ1CM-226Z	E CAPACITOR	22MF 20% 16V	
	C 904	QERF1CM-226Z	E CAPACITOR	22MF 20% 16V	
	C 905	QERF1CM-226Z	E CAPACITOR	22MF 20% 16V	

■ Electrical parts list (Main board)

Block No. 01

▲	Item	Parts number	Parts name	Remarks	Area	▲	Item	Parts number	Parts name	Remarks	Area
	C 906	NCB31EK-104X	C CAPACITOR				Q 731	2SC1623/5-6/-X	SI TRANSISTOR	KD-S580	
	C 907	NCB31HK-103X	C CAPACITOR				Q 732	2SC1623/5-6/-X	SI TRANSISTOR	KD-S580	
	C 908	QERF1AM-107Z	E CAPACITOR	100MF 20% 10V			Q 732	2SC2412K/R/-X	SI TRANSISTOR	KD-S6250	
	C 909	QERF1AM-107Z	E CAPACITOR	100MF 20% 10V			Q 791	2SB1197K/QR/-X	TRANSISTOR		
	C 910	NCB31HK-103X	C CAPACITOR				Q 792	2SA1037AK/RS/-X	SI TRANSISTOR	KD-S6250	
	C 911	QERF1AM-227Z	E CAPACITOR	220MF 20% 10V			Q 792	2SA812/5-6/-X	SI TRANSISTOR	KD-S580	
	C 914	NCB31EK-104X	C CAPACITOR				Q 793	DTC114EKA-X	TRANSISTOR		
	C 915	NCB11CK-225X	C CAPACITOR				Q 861	DTA114EKA-X	DIGI TRANSISTOR		
	C 916	QERF1HM-225Z	E CAPACITOR	2.2MF 20% 50V			Q 902	2SC2412K/R/-X	SI TRANSISTOR	KD-S6250	
	CJ321	QNN0170-001	PIN JACK (REEL)	KD-S580			Q 902	2SC1623/5-6/-X	SI TRANSISTOR	KD-S580	
	CJ321	QNN0201-001	PIN JACK (REEL)	KD-S6250			Q 903	2SA1037AK/RS/-X	SI TRANSISTOR	KD-S6250	
	CJ701	QNB0100-002	ANT TERMINAL				Q 903	2SA812/5-6/-X	SI TRANSISTOR	KD-S580	
	CN501	QGB2027M1-26S	CONNECTOR				R 101	NRSA63J-272X	MG RESISTOR		
	CN801	VMC0334-001	CONNECTOR				R 102	NRSA63J-512X	MG RESISTOR		
	CN901	QNZ0002-001	16P CONNECTOR				R 151	NRSA63J-183X	MG RESISTOR		
	D 321	1SS254-T2	SI DIODE				R 152	NRSA63J-123X	MG RESISTOR		
	D 332	1SS355-X	DIODE				R 153	NRSA63J-273X	MG RESISTOR		
	D 333	1SS355-X	DIODE				R 154	NRSA63J-223X	MG RESISTOR		
	D 551	DSK10C-T1	DIODE				R 155	NRSA63J-152X	MG RESISTOR		
	D 701	1SS254-T2	SI DIODE				R 156	NRS181J-223X	MG RESISTOR		
	D 702	1SS254-T2	SI DIODE				R 201	NRSA63J-272X	MG RESISTOR		
	D 731	MTZJ10B-T2	Z DIODE				R 202	NRSA63J-512X	MG RESISTOR		
	D 791	1SS355-X	DIODE				R 251	NRSA63J-183X	MG RESISTOR		
	D 792	1SS355-X	DIODE				R 252	NRSA63J-123X	MG RESISTOR		
	D 810	1SS355-X	DIODE				R 253	NRSA63J-273X	MG RESISTOR		
	D 821	UDZS6.2B-X	SI DIODE				R 254	NRSA63J-223X	MG RESISTOR		
	D 822	UDZS6.2B-X	SI DIODE				R 255	NRSA63J-152X	MG RESISTOR		
	D 823	UDZS6.2B-X	SI DIODE				R 256	NRS181J-223X	MG RESISTOR		
	D 824	UDZS6.2B-X	SI DIODE				R 301	NRSA63J-223X	MG RESISTOR		
	D 825	UDZS6.2B-X	SI DIODE				R 302	NRSA63J-222X	MG RESISTOR		
	D 826	UDZS6.2B-X	SI DIODE				R 303	NRSA63J-473X	MG RESISTOR		
	D 827	UDZS6.2B-X	SI DIODE				R 304	NRSA63J-473X	MG RESISTOR		
	D 828	UDZS6.2B-X	SI DIODE				R 307	NRSA63J-273X	MG RESISTOR		
	D 861	MTZJ4.7B-T2	Z DIODE				R 308	NRSA63J-273X	MG RESISTOR		
	D 866	1SS355-X	DIODE				R 321	NRS181J-473X	MG RESISTOR		
	D 867	1SS355-X	DIODE				R 322	NRS181J-471X	MG RESISTOR		
	D 868	1SS355-X	DIODE				R 323	NRS181J-102X	MG RESISTOR		
	D 869	1SS355-X	DIODE				R 333	NRSA63J-102X	MG RESISTOR		
	D 901	1N5401-F64	SI DIODE				R 334	NRSA63J-101X	MG RESISTOR		
	D 902	SB10-03A3-T2	SB DIODE				R 336	NRSA63J-222X	MG RESISTOR		
	D 903	1SS254-T2	SI DIODE				R 401	NRSA63J-223X	MG RESISTOR		
	D 904	CRS03-W	SB DIODE				R 402	NRSA63J-222X	MG RESISTOR		
	IC151	NJM4565M-WE	IC				R 403	NRSA63J-473X	MG RESISTOR		
	IC301	TEA6320T-X	IC				R 404	NRSA63J-473X	MG RESISTOR		
	IC321	LA4743K	IC				R 407	NRSA63J-273X	MG RESISTOR		
	IC501	AN8806SB-W	IC				R 408	NRSA63J-273X	MG RESISTOR		
	IC541	LA6567H-X	IC				R 433	NRSA63J-102X	MG RESISTOR		
	IC561	MN6627482WA	IC				R 434	NRSA63J-101X	MG RESISTOR		
	IC801	LC72366-9A73	IC				R 436	NRSA63J-222X	MG RESISTOR		
	IC901	HA13164A	IC				R 501	NRS181J-220X	MG RESISTOR		
	L 501	QQL231K-4R7Y	INDUCTOR				R 502	NRS181J-220X	MG RESISTOR		
	L 561	QQL231K-4R7Y	INDUCTOR				R 503	NRS181J-102X	MG RESISTOR		
	L 562	QQL231K-4R7Y	INDUCTOR				R 504	NRSA63J-392X	MG RESISTOR		
	L 701	QQL231K-4R7Y	INDUCTOR				R 505	NRSA63J-224X	MG RESISTOR		
	L 801	QQL231K-4R7Y	INDUCTOR				R 506	NRSA63J-223X	MG RESISTOR		
	L 901	QQR0703-001	CHOKE COIL				R 507	NRSA63J-822X	MG RESISTOR		
	Q 321	DTC114EKA-X	TRANSISTOR				R 508	NRSA63J-104X	MG RESISTOR		
	Q 332	2SD1781K/QR/-X	TRANSISTOR				R 509	NRSA63J-223X	MG RESISTOR		
	Q 432	2SD1781K/QR/-X	TRANSISTOR				R 510	NRSA63J-154X	MG RESISTOR		
	Q 501	2SA1706/ST/-T	TRANSISTOR				R 511	NRSA63J-274X	MG RESISTOR		
	Q 541	2SA1706/ST/-T	TRANSISTOR				R 512	NRSA63J-563X	MG RESISTOR		
	Q 701	DTC114EKA-X	TRANSISTOR				R 513	NRSA63J-563X	MG RESISTOR		
	Q 731	2SC2412K/R/-X	SI TRANSISTOR	KD-S6250			R 514	NRSA63J-123X	MG RESISTOR		

■ Electrical parts list (Main board)

Block No. 01

△	Item	Parts number	Parts name	Remarks	Area
	R 515	NRSA63J-123X	MG RESISTOR		
	R 516	NRSA63J-123X	MG RESISTOR		
	R 517	NRSA63J-123X	MG RESISTOR		
	R 518	NRSA63J-822X	MG RESISTOR		
	R 519	NRSA63J-105X	MG RESISTOR		
	R 541	NRS181J-621X	MG RESISTOR		
	R 542	NRSA63J-432X	MG RESISTOR		
	R 543	NRSA63J-303X	MG RESISTOR		
	R 544	NRSA63J-332X	MG RESISTOR		
	R 545	NRSA63J-123X	MG RESISTOR		
	R 546	NRSA63J-563X	MG RESISTOR		
	R 547	NRSA63J-154X	MG RESISTOR		
	R 548	NRSA63J-432X	MG RESISTOR		
	R 549	NRSA63J-203X	MG RESISTOR		
	R 550	NRSA63J-682X	MG RESISTOR		
	R 551	NRSA63J-822X	MG RESISTOR		
	R 560	NRS181J-101X	MG RESISTOR		
	R 561	NRSA63J-102X	MG RESISTOR		
	R 562	NRSA63J-102X	MG RESISTOR		
	R 563	NRSA63J-102X	MG RESISTOR		
	R 564	NRSA63J-102X	MG RESISTOR		
	R 567	NRSA63J-102X	MG RESISTOR		
	R 568	NRSA63J-102X	MG RESISTOR		
	R 569	NRSA63J-102X	MG RESISTOR		
	R 570	NRSA63J-102X	MG RESISTOR		
	R 571	NRS181J-333X	MG RESISTOR		
	R 573	NRSA63J-333X	MG RESISTOR		
	R 574	NRSA63J-221X	MG RESISTOR		
	R 575	NRSA63J-221X	MG RESISTOR		
	R 576	NRSA63J-0R0X	MG RESISTOR		
	R 577	NRSA63J-104X	MG RESISTOR		
	R 579	NRSA63J-102X	MG RESISTOR		
	R 580	NRSA63J-224X	MG RESISTOR		
	R 581	NRSA63J-0R0X	MG RESISTOR		
	R 701	NRSA63J-102X	MG RESISTOR		
	R 702	NRSA63J-0R0X	MG RESISTOR		
	R 703	NRSA63J-102X	MG RESISTOR		
	R 704	NRSA63J-0R0X	MG RESISTOR		
	R 705	NRSA63J-103X	MG RESISTOR		
	R 708	NRSA63J-822X	MG RESISTOR		
	R 725	NRSA63J-820X	MG RESISTOR		
	R 731	NRS181J-152X	MG RESISTOR		
	R 732	NRSA63J-102X	MG RESISTOR		
	R 733	NRSA63J-103X	MG RESISTOR		
	R 734	NRS181J-471X	MG RESISTOR		
	R 791	NRSA63J-103X	MG RESISTOR		
	R 792	NRSA63J-102X	MG RESISTOR		
	R 793	NRSA63J-103X	MG RESISTOR		
	R 794	NRSA63J-222X	MG RESISTOR		
	R 795	NRS181J-150X	MG RESISTOR		
	R 796	NRS181J-150X	MG RESISTOR		
	R 797	NRS181J-100X	MG RESISTOR		
	R 798	NRSA63J-223X	MG RESISTOR		
	R 799	NRSA63J-473X	MG RESISTOR		
	R 801	NRS181J-103X	MG RESISTOR		
	R 803	NRS181J-332X	MG RESISTOR		
	R 804	NRS181J-332X	MG RESISTOR		
	R 805	NRS181J-332X	MG RESISTOR		
	R 807	NRS181J-473X	MG RESISTOR		
	R 808	NRS181J-102X	MG RESISTOR		
	R 809	NRS181J-103X	MG RESISTOR		
	R 810	NRSA63J-104X	MG RESISTOR		
	R 811	NRSA63J-332X	MG RESISTOR		

△	Item	Parts number	Parts name	Remarks	Area
	R 812	NRSA63J-332X	MG RESISTOR		
	R 813	NRSA63J-473X	MG RESISTOR		
	R 814	NRSA63J-473X	MG RESISTOR		
	R 815	NRSA63J-473X	MG RESISTOR		
	R 816	NRSA63J-473X	MG RESISTOR		
	R 817	NRS181J-472X	MG RESISTOR		
	R 818	NRS181J-473X	MG RESISTOR	KD-S580	
	R 822	NRSA63J-222X	MG RESISTOR		
	R 823	NRSA63J-473X	MG RESISTOR		
	R 825	NRS181J-473X	MG RESISTOR		
	R 826	NRSA63J-473X	MG RESISTOR		
	R 827	NRSA63J-473X	MG RESISTOR		
	R 828	NRSA63J-473X	MG RESISTOR		
	R 829	NRS181J-473X	MG RESISTOR		
	R 830	NRS181J-223X	MG RESISTOR		
	R 831	NRS181J-472X	MG RESISTOR		
	R 832	NRS181J-223X	MG RESISTOR		
	R 833	NRS181J-472X	MG RESISTOR		
	R 834	NRS181J-223X	MG RESISTOR		
	R 835	NRS181J-472X	MG RESISTOR		
	R 836	NRSA63J-473X	MG RESISTOR		
	R 840	NRSA63J-473X	MG RESISTOR		
	R 841	NRSA63J-473X	MG RESISTOR		
	R 842	NRSA63J-473X	MG RESISTOR		
	R 843	NRSA63J-0R0X	MG RESISTOR		
	R 844	NRSA63J-0R0X	MG RESISTOR		
	R 845	NRSA63J-0R0X	MG RESISTOR		
	R 861	NRS181J-471X	MG RESISTOR		
	R 862	NRS181J-471X	MG RESISTOR		
	R 901	NRSA63J-912X	MG RESISTOR		
	R 902	QRZ0125-102X	C RESISTOR	1.0K 1W	
	R 903	NRSA63J-472X	MG RESISTOR		
	R 904	NRSA63J-104X	MG RESISTOR		
	R 905	NRSA63J-472X	MG RESISTOR		
	R 906	NRSA63J-472X	MG RESISTOR		
	R 907	NRSA63J-393X	MG RESISTOR		
	R 908	NRSA63J-683X	MG RESISTOR		
	R 909	NRSA63J-273X	MG RESISTOR		
	R 910	NRSA63J-473X	MG RESISTOR		
	R 911	NRS181J-473X	MG RESISTOR		
	TU701	QAU0257-001	TUNER		
	X 561	QAX0714-001Z	C RESONATOR		
	X 801	QAX0406-001Z	CRYSTAL		

■ Electrical parts list (Front board)

Block No. 02

△	Item	Parts number	Parts name	Remarks	Area
	C 601	NCB31HK-223X	C CAPACITOR		
	C 602	NCS31HJ-681X	C CAPACITOR		
	C 603	NBE20JM-106X	TS E CAP SVB20J		
	C 611	NCB31HK-123X	C CAPACITOR	KD-S6250	
	C 612	NBE20JM-475X	TA E CAPACITOR	KD-S6250	
	CJ601	VMC0335-001	CONNECTOR		
	D 601	SML-310VT/JK/-X	LED	VOL+ R LED	
	D 602	SML-310VT/JK/-X	LED	VOL- R LED	
	D 603	SML-310VT/JK/-X	LED	LOUD R LED	
	D 604	SML-310VT/JK/-X	LED	SEL R LED	
	D 605	SML-310VT/JK/-X	LED	DISP R LED	
	D 606	SML-310VT/JK/-X	LED	1 R LED	
	D 607	SML-310VT/JK/-X	LED	2 R LED	
	D 608	SML-310VT/JK/-X	LED	3 R LED	
	D 609	SML-310VT/JK/-X	LED	4 R LED	
	D 610	SML-310VT/JK/-X	LED	5 R LED	
	D 611	SML-310VT/JK/-X	LED	6 R LED	
	D 612	SML-310VT/JK/-X	LED	MODE R LED	
	D 613	LT1F67AF-W	LED	SCM G LED	
	D 614	SML-310VT/JK/-X	LED	EJECT R LED	
	D 615	SML-310VT/JK/-X	LED	FM R LED	
	D 616	SML-310VT/JK/-X	LED	CD R LED	
	D 617	SML-310VT/JK/-X	LED	AM R LED	
	D 618	SML-310VT/JK/-X	LED	UP R LED	
	D 619	SML-310VT/JK/-X	LED	DOWN R LED	
	D 620	SML-310LT/MN/-X	LED	POWER R LED	
	D 641	UDZS5.1B-X	Z DIODE		
	D 642	1SS355-X	DIODE		
	D 643	1SS355-X	DIODE		
	D 644	UDZS5.1B-X	ZENER DIODE	KD-S6250	
	D 645	UDZS6.2B-X	SI DIODE		
	D 731	NSPW310BS/BRS/	LED		
	D 732	NSPW310BS/BRS/	LED		
	IC601	LC75823W	IC		
	IC602	RPM6938-SV4	IC(M)	KD-S6250	
	R 601	NRSA63J-681X	MG RESISTOR		
	R 602	NRSA63J-561X	MG RESISTOR		
	R 603	NRSA63J-681X	MG RESISTOR		
	R 604	NRSA63J-911X	MG RESISTOR		
	R 605	NRSA63J-122X	MG RESISTOR		
	R 606	NRSA63J-681X	MG RESISTOR		
	R 607	NRSA63J-561X	MG RESISTOR		
	R 608	NRSA63J-681X	MG RESISTOR		
	R 609	NRSA63J-911X	MG RESISTOR		
	R 610	NRSA63J-122X	MG RESISTOR		
	R 611	NRSA63J-152X	MG RESISTOR		
	R 612	NRSA63J-681X	MG RESISTOR		
	R 613	NRSA63J-561X	MG RESISTOR		
	R 614	NRSA63J-681X	MG RESISTOR		
	R 615	NRSA63J-911X	MG RESISTOR		
	R 616	NRSA63J-122X	MG RESISTOR		
	R 617	NRSA63J-152X	MG RESISTOR		
	R 631	NRSA02J-821X	MG RESISTOR		
	R 632	NRSA02J-222X	MG RESISTOR		
	R 633	NRSA02J-222X	MG RESISTOR		
	R 634	NRSA02J-102X	MG RESISTOR		
	R 635	NRSA02J-102X	MG RESISTOR		
	R 636	NRSA02J-122X	MG RESISTOR		
	R 637	NRSA02J-122X	MG RESISTOR		
	R 638	NRSA02J-391X	MG RESISTOR		
	R 639	NRSA02J-391X	MG RESISTOR		
	R 640	NRSA02J-391X	MG RESISTOR		
	R 641	NRSA02J-391X	MG RESISTOR		

△	Item	Parts number	Parts name	Remarks	Area
	R 642	NRSA02J-681X	MG RESISTOR		
	R 643	NRSA02J-681X	MG RESISTOR		
	R 644	NRSA02J-102X	MG RESISTOR		
	R 645	NRSA02J-102X	MG RESISTOR		
	R 651	NRSA63J-222X	MG RESISTOR		
	R 652	NRSA63J-222X	MG RESISTOR		
	R 653	NRSA63J-103X	MG RESISTOR		
	R 654	NRSA63J-103X	MG RESISTOR		
	R 655	NRSA63J-103X	MG RESISTOR		
	R 656	NRSA63J-103X	MG RESISTOR		
	R 657	NRSA63J-513X	MG RESISTOR		
	R 658	NRSA63J-184X	MG RESISTOR		
	R 661	NRSA63J-103X	MG RESISTOR	KD-S6250	
	R 662	NRSA63J-471X	MG RESISTOR	KD-S6250	
	R 731	NRS181J-681X	MG RESISTOR		
	R 732	NRS181J-681X	MG RESISTOR		
	S 601	NSW0066-001X	TACT SWITCH	POWER	
	S 602	NSW0066-001X	TACT SWITCH	VOL-	
	S 603	NSW0066-001X	TACT SWITCH	VOL+	
	S 604	NSW0066-001X	TACT SWITCH	LOUD	
	S 605	NSW0066-001X	TACT SWITCH	DISP	
	S 606	NSW0066-001X	TACT SWITCH	1	
	S 607	NSW0066-001X	TACT SWITCH	SELECT	
	S 608	NSW0066-001X	TACT SWITCH	2	
	S 609	NSW0066-001X	TACT SWITCH	3	
	S 610	NSW0066-001X	TACT SWITCH	4	
	S 611	NSW0066-001X	TACT SWITCH	5	
	S 612	NSW0066-001X	TACT SWITCH	EJECT	
	S 613	NSW0066-001X	TACT SWITCH	UP	
	S 614	NSW0066-001X	TACT SWITCH	6	
	S 615	NSW0066-001X	TACT SWITCH	MODE	
	S 616	NSW0066-001X	TACT SWITCH	SCM	
	S 617	NSW0066-001X	TACT SWITCH	DOWN	
	S 618	NSW0066-001X	TACT SWITCH	AM	
	S 619	NSW0066-001X	TACT SWITCH	FM	
	S 620	NSW0066-001X	TACT SWITCH	CD	

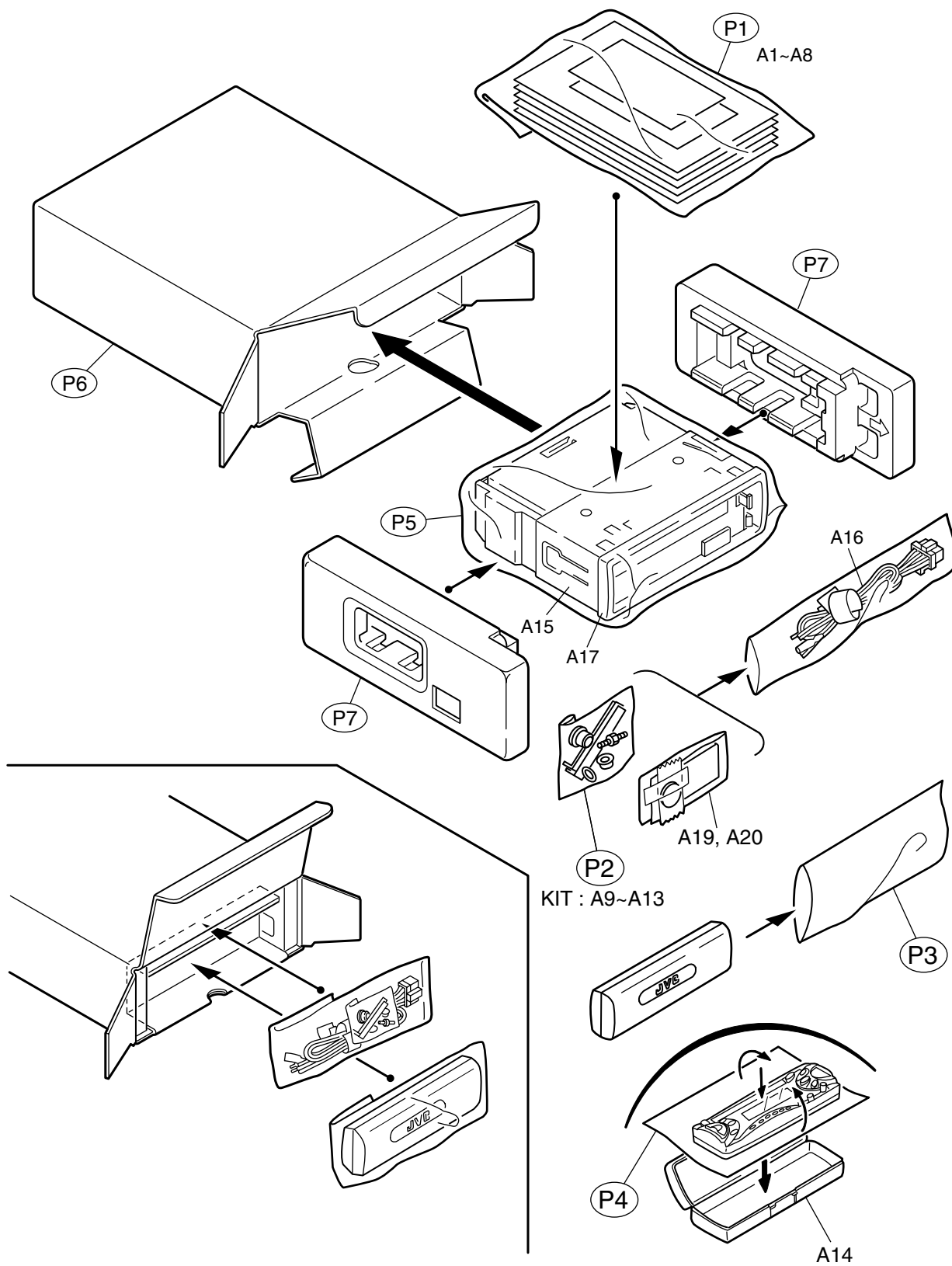
Packing materials and accessories parts list

Block No.

M	3	M	M
---	---	---	---

Block No.

M	5	M	M
---	---	---	---



Parts list (Packing)

Block No. M3MM

△	Item	Parts number	Parts name	Q'ty	Description	Area
	P 1	FSPG4002-001	POLY BAG	1	FOR INST BOOK	
	P 2	QPA00801205	POLY BAG	1	FOR SCREW KIT	
	P 3	QPA01003003	POLY BAG	1	FOR HARD CASE	
	P 4	FSYH4036-068	SHEET	1		
	P 5	QPC03004315P	POLY BAG	1	FOR SET	
	P 6	GE30407-013A	PACKING CASE	1	KD-S580	
		GE30407-012A	PACKING CASE	1	KD-S6250	
	P 7	GE10036-001A	EPS CUSHION	2		

Parts list (Accessories)

Block No. M5MM

△	Item	Parts number	Parts name	Q'ty	Description	Area
	A 1	GET0064-001A	INST BOOK	1	ENG, SPA, FRE	
	A 2	GET0064-002A	INSTALL MANUAL	1	ENG, SPA, FRE	
	A 3	GET0093-001A	CAUTION SHEET	1		
	A 4	LVT0717-001A	TROUBLE SHEET	1		
	A 5	BT-51029-1	WARRANTY CARD	1	KD-S6250	
		BT-51018-3	WARRANTY CARD	1	KD-S580	
	A 6	BT-52004-2	WARRANTY CARD	1	KD-S580	
		BT-52005-1	WARRANTY CARD	1	KD-S6250	
	A 7	BT-51028-1	J=REGIST CAR	1		
	A 8	BT-20071B	JVC CENTER LIST	1		
	A 9	VKZ4027-202	PLUG NUT	1		
	A 10	VKH4871-001SS	MOUNT BOLT	1		
	A 11	VKZ4328-001	LOCK NUT	1		
	A 12	WNS5000Z	WASHER	1		
	A 13	FSKL4010-002	HOOK	2		
	A 14	FSJB3001-30C	HARD CASE	1		
	A 15	FSKM2004-202	MOUNTING SLEEVE	1		
	A 16	QAM0013-006	16P CORD ASS'Y	1		
	A 17	FSJD2034-011	TRIM PLATE	1	KD-S580	
		FSJD2034-015	TRIM PLATE	1	KD-S6250	
	A 19	RM-RK31	REMOCON	1	KD-S6250	
	A 20	-----	BATTERY	1	KD-S6250	
	KIT	KDGS717K-SCREW1	SCREW PARTS KIT	1	A9-A13	



VICTOR COMPANY OF JAPAN, LIMITED

MOBILE ELECTRONICS DIVISION

PERSONAL & MOBILE NETWORK BUSINESS UNIT. 10-1,1Chome,Ohwatari-machi,Maebashi-city,371-8543,Japan